

# Spec Sheet

## DTF 10A

Mounting bracket for DVX D10HP



### Applications

- Portable PA, clubs, ballrooms, houses of worship, convention centres, live theatres

### Features

- Metal bracket for mounting a DVX D10HP both on the wall or on any kind of structure

### Description

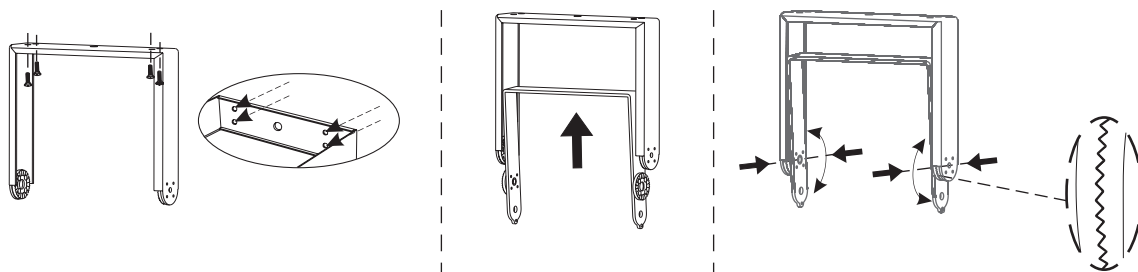
The DTF 10A is a metal frame for the assembly of a DVX D10HP both wall or on any type of structure.

The speaker is attached to the bracket using 2 supplied pins that allow its quick disassembly without changing the installation position.

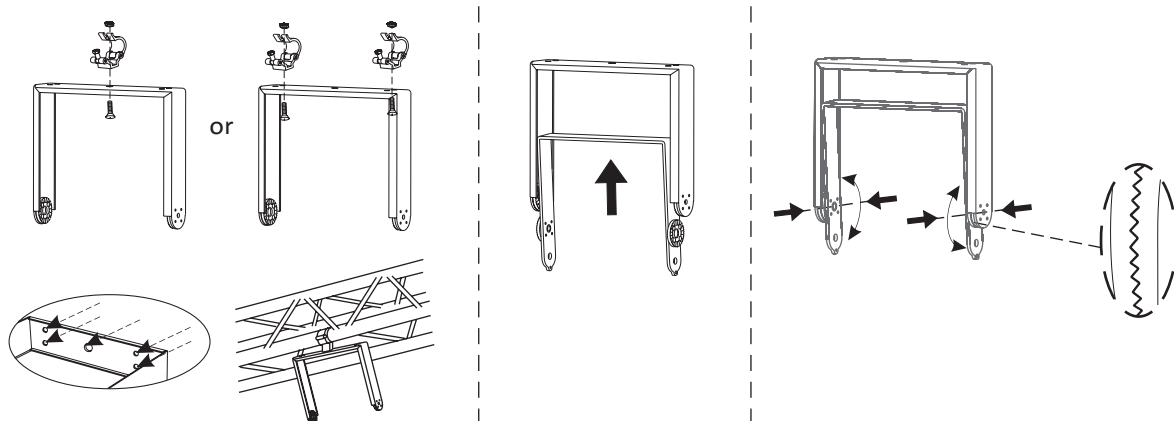
The gear knob can be locked at any angle thanks to the toothed wheels on the inner and outer brackets.

### Installation Example

#### Wall mounting



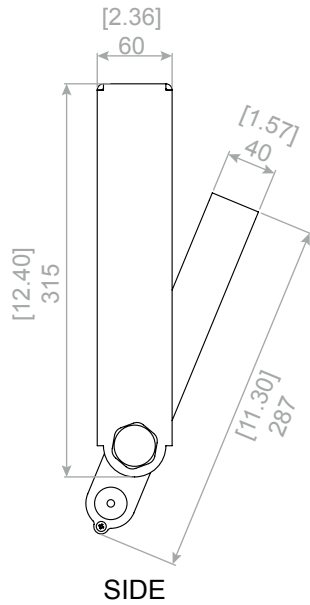
#### Truss mounting



# DTF 10A

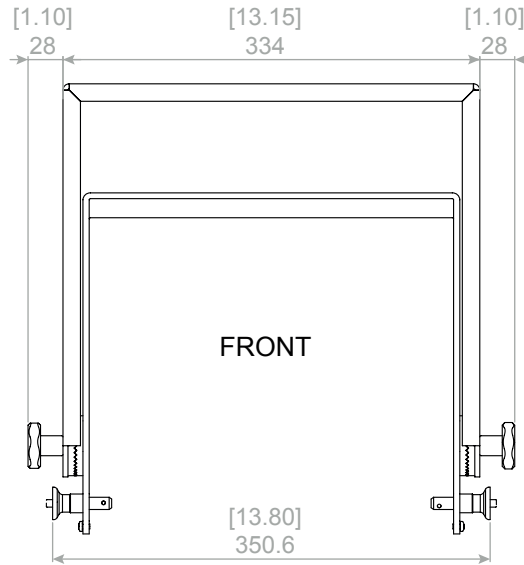
## Technical Specifications

### Overall Dimensions

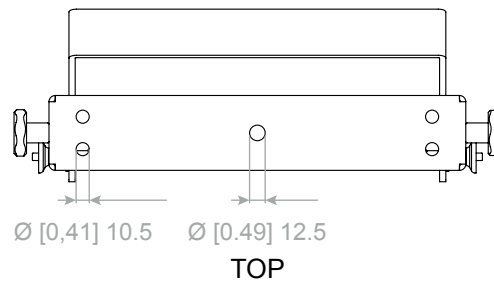


SIDE

All dimensions  
in mm [inch]



FRONT



TOP