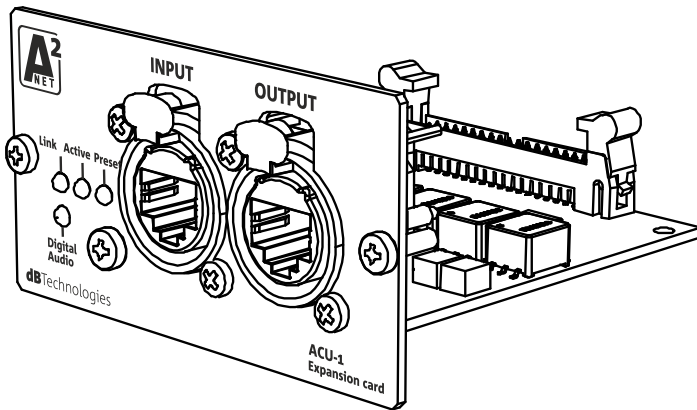


## ACU-1 EXPANSION CARD



### MAIN FEATURES

- Multichannel audio and AURORA Net control over single Ethernet Cable
- Compatible with RDNet devices
- I/O ports for daisy chain connection
- Zero latency in daisy chain connection
- Compatible with all dBTechnologies devices with removable card on board

### PACKAGE CONTENTS

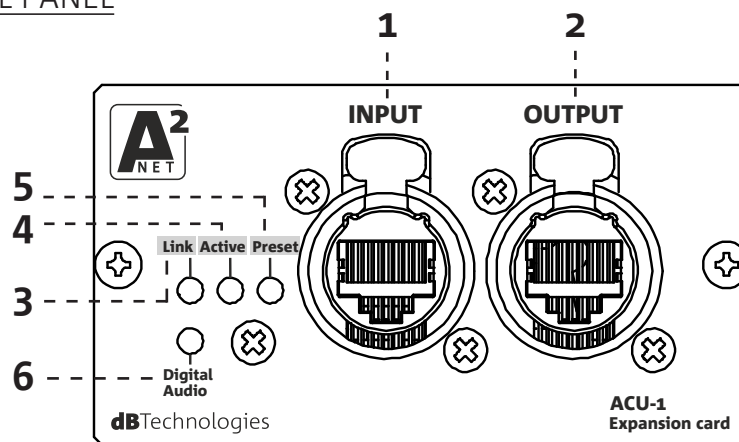
The box contains:

- n.1 ACU-1 expansion card
  - n.1 rubber band
- This quick start and warranty documentation

### DESCRIPTION

ACU-1 card allows dBTechnologies device connection to the A2Net network. A device equipped with ACU-1 is fully remotable from AURORA Net software.

### I/O AND CONTROL PANEL



1. *A2Net (RJ45) Input port* - connect this port to an A2Net compatible device (i.e. speakers, Control A2Net device).
2. *A2Net (RJ45) Output port* - use this port to link the remote control and the audio signal to other system modules in a daisy-chain configuration.
3. *Link* - illuminates to indicate that the RDNet network is active and has recognised the device
4. *Active* - flashes to indicate the presence of data traffic.
5. *Preset* - signals that all the local controls on the speaker amplifier panel are bypassed by the RDNet remote control.
6. *Digital Audio* - this LED signals that digital audio input is present.

*The warnings in this manual must be observed in conjunction with the "USER MANUAL - Section 2".*

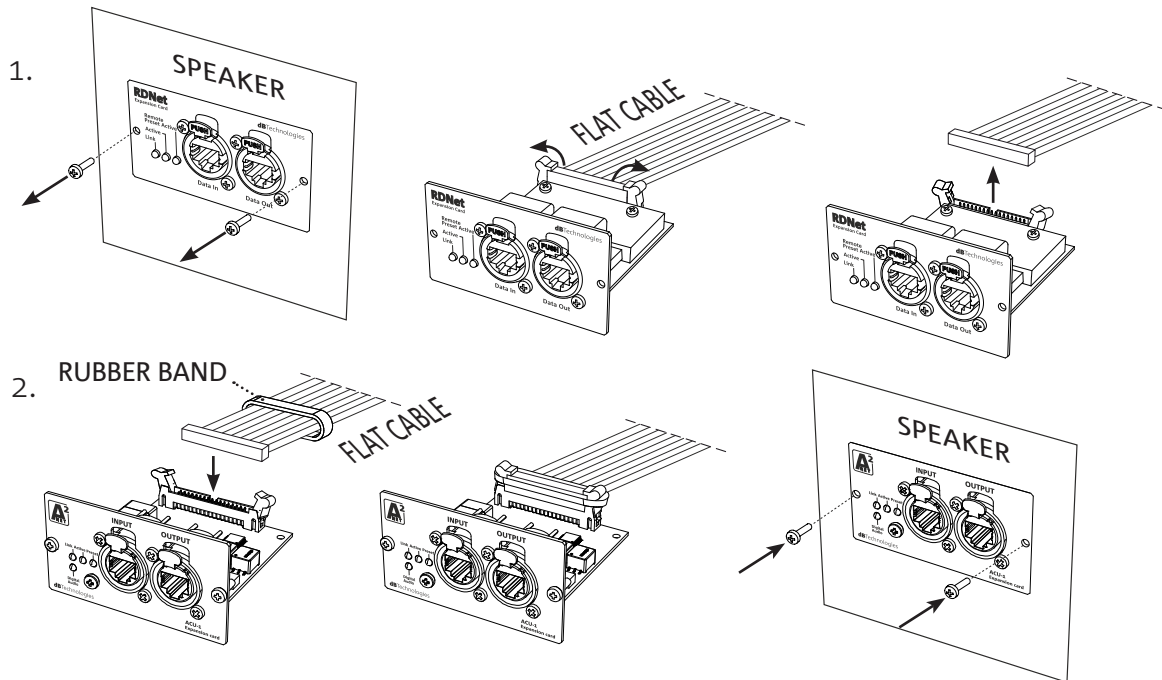
**CARD INSTALLATION AND FIRWMARE UPGRADE**

1. The speaker must be switched off before operating. Remove the optional card from the speaker by unscrewing the screws, then open the flaps and unplug the flat cable as shown.
2. Insert the flat cable into the included rubber band, connect the flat cable to the card, close the flaps and lock them with the rubber band. Fasten the card to the speaker amp by screwing the screws.
3. Switch on the speaker and update the firmware of the speaker via USB connector installing the latest A2Net available version (download it from the speaker product page at dBTechnologies website).



**WARNING!**

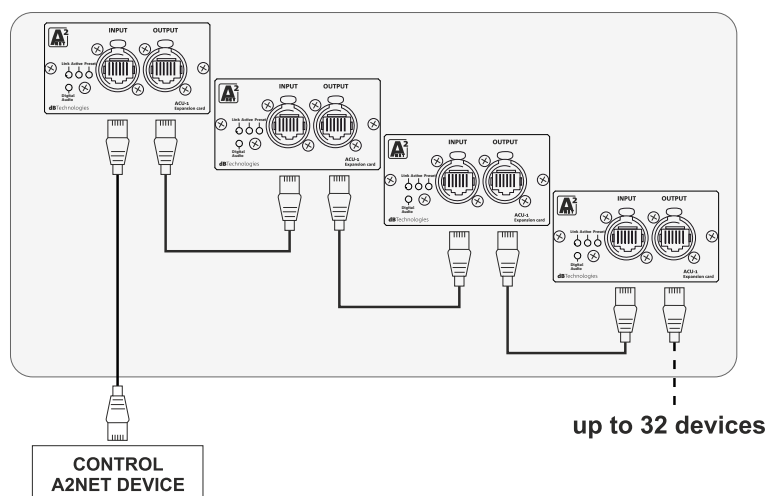
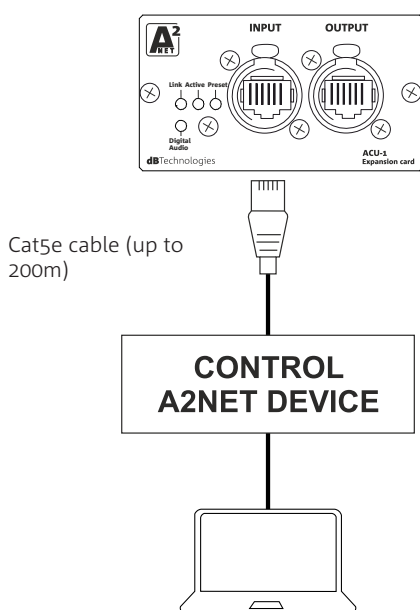
Please be careful when handling the expansion card to avoid the risk of electrostatic discharge.



**NETWORK SETUP**

Connect your dBTechnologies device, PC or Mac running AuroraNet via Control A2Net device, using at least CAT5e cables up to 200m.

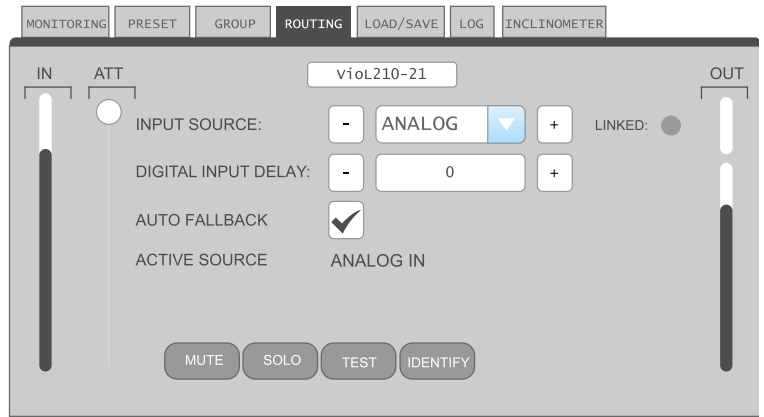
You can connect up to 32x A2Net devices.



### SELECT INPUT SOURCE

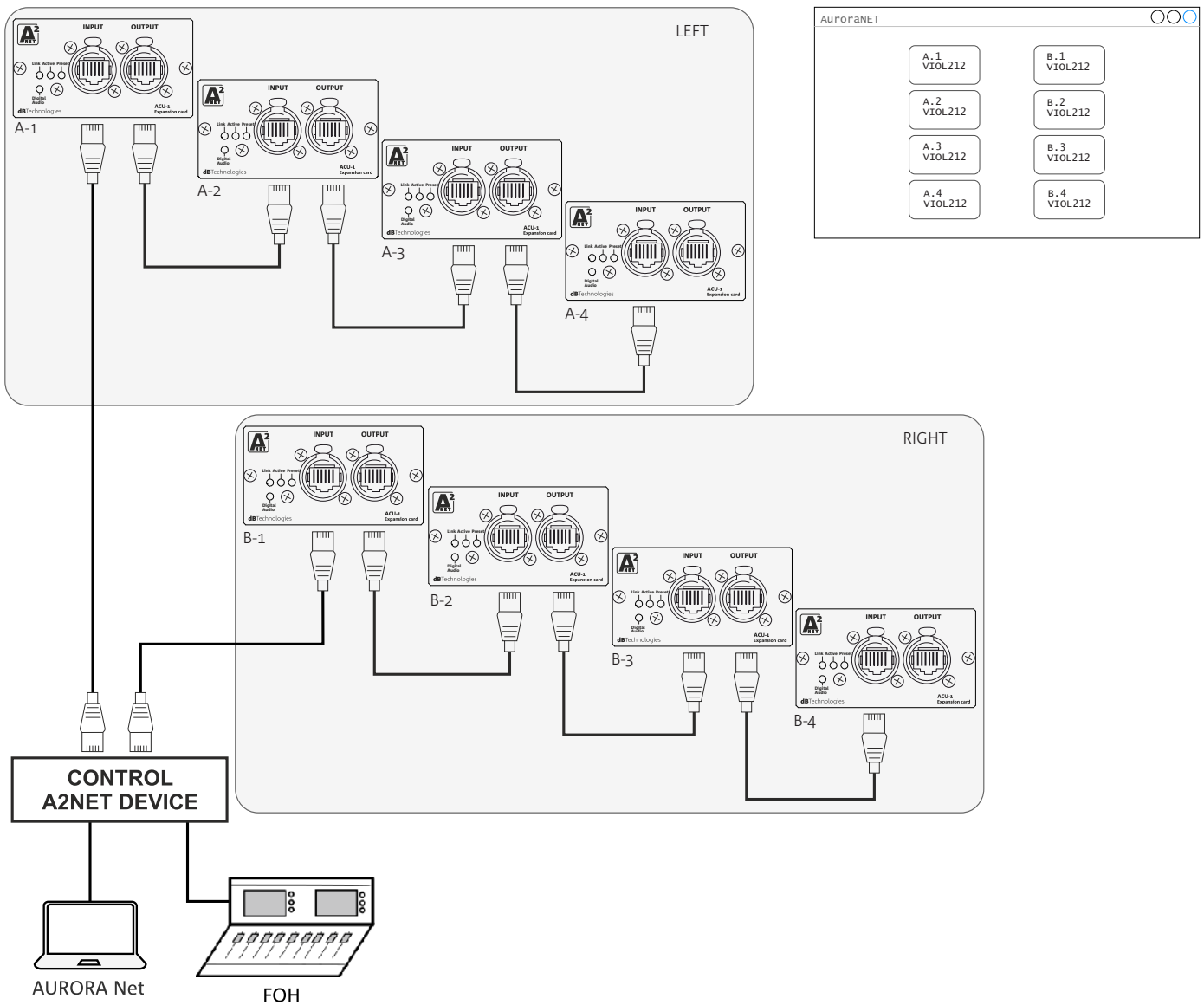
Use AURORA Net software to select a preferred audio source.

For further configurations, refer to AURORA Net manual, A2Net section.



### BASIC SYSTEM SETUP

Below an example of a network configuration.



## IMPORTANT NOTES AND WARNINGS

### EMI CLASSIFICATION

According to the standards EN 55032 and 55035 this is a Class A equipment, designed and suitable to operate for professional use. Warning: This equipment is compliant with Class A of CISPR 32. In a residential environment this equipment may cause radio interference.

### FCC CLASS A STATEMENT ACCORDING TO TITLE 47, PART 15, SUBPART B, §15.105

This equipment has been tested and found to comply with the limits for a Class A digital device, pursuant to part 15 of the FCC Rules.

These limits are designed to provide reasonable protection against harmful interference when the equipment is operated in a commercial environment.

This equipment generates, uses and can radiate radio frequency energy and, if not installed and used in accordance with the instructions, may cause harmful interference to radio communications.

Operation of this equipment in a residential area is likely to cause harmful interference in which case the user will be required to correct the interference at his own expense.

Changes or modifications not expressly approved by the party responsible for compliance could void the user's authority to operate the equipment.

### WARNINGS!



Make sure that the device is securely installed in a stable position to avoid any injuries or damages to persons or properties. Before installing the device check all the components for damages, deformations, missing or damaged parts that may compromise safety during installation. Follow the instructions contained in this quick start user manual and on the complete user manual to properly install the device. It's suggested to keep enough distance from other devices to allow the right cooling.

*Features, specification and appearance of products are subject to change without notice. dBTechnologies reserves the right to make changes or improvements in design or manufacturing without assuming any obligation to change or improve products previously manufactured.*

Only expert personnel may use the product and its accessories! Only use the accessories and configurations described in this manual, and proceed in accordance with the instructions given in the manuals for the accessories.

Only use the power cable provided.

The USB SERVICE DATA connection is to be used exclusively for updating the product's firmware; do not connect any other USB device to the unit to avoid the risk of damage and malfunction.

Check periodically the integrity and the functionality of the accessories and the technical equipments for a safe installation. user should never apply a load that exceeds the working load limits of any rigging components or equipment here presented. design, calculation, installation, testing and maintenance of suspension and stack systems for audio equipment must be performed only by qualified and authorized personnel. AEB Industriale s.r.l. denies any and all responsibility for improper installations, in the absence of safety requirements.



**AEB INDUSTRIALE** srl

A.E.B. Industriale Srl  
Via Brodolini, 8  
Località Crespellano  
40053 VALSAMOGGIA  
BOLOGNA (ITALIA)  
Tel. +39 051 969870  
Fax +39 051 969725

[www.dbtechnologies.com](http://www.dbtechnologies.com)

[info@dbtechnologies-aeb.com](mailto:info@dbtechnologies-aeb.com)