

Spec Sheet

DTF 8A

Mounting bracket for DVX D8HP



Applications

- Portable PA, clubs, ballrooms, houses of worship, convention centres, live theatres

Features

- Metal bracket for mounting a DVX D8HP both on the wall or on any kind of structure

Description

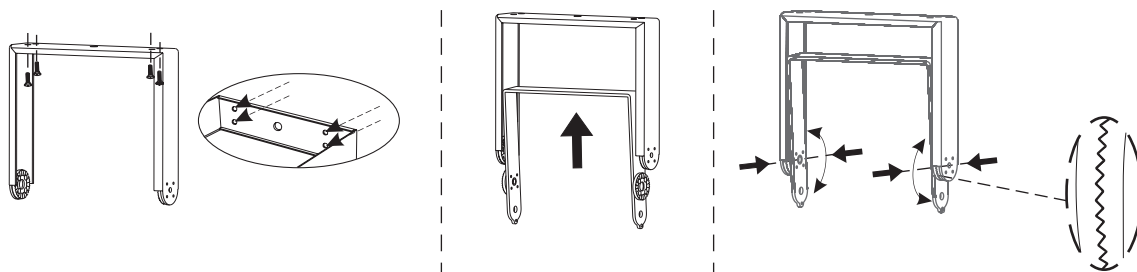
The DTF 8A is a metal frame for the assembly of a DVX D8HP both wall or on any type of structure.

The speaker is attached to the bracket using 2 supplied pins that allow its quick disassembly without changing the installation position.

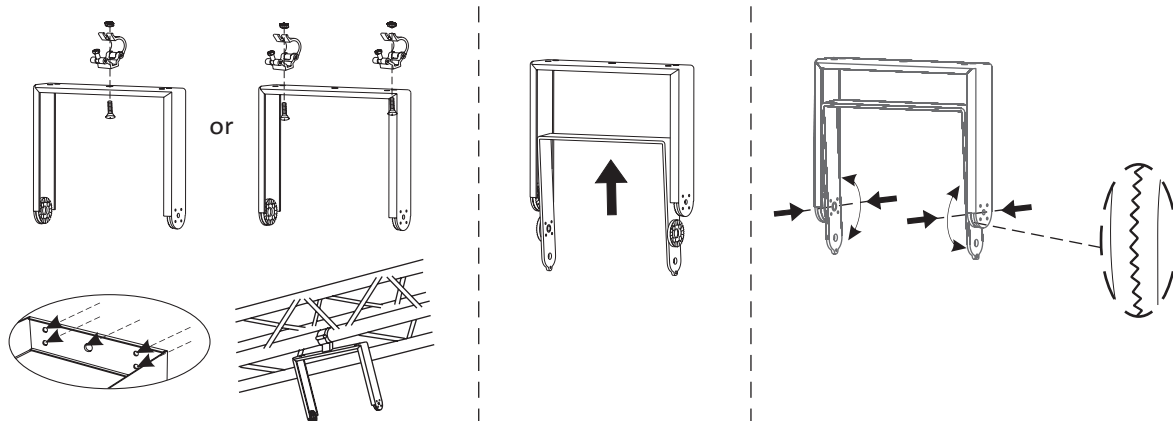
The gear knob can be locked at any angle thanks to the toothed wheels on the inner and outer brackets.

Installation Example

Wall mounting



Truss mounting



DTF 8A

Technical Specifications

Overall Dimensions

