



Spec Sheet

DVA MS12

Active bass reflex flyable subwoofer
12", 700W **Digipro G3**



Applications

- Live sound for rental application in small and mid-size venues
- Permanent installation in theatres, houses of worship, convention centres
- Portable PA, clubs, ballrooms, live theatres
- Surround sound applications

Features

- Integrated hardware with innovative quick-lock mechanics
- Lightweight and elegant premium design
- 700W RMS Digipro® G3 Class-D Amplifier (1400W Peak Power)
- Switched mode power supply with auto-range
- Hi end digital controller on board (DSP)
- Dual function feet (flying or ground stacking purposes)

Description

DVA MS12 is the flyable subwoofer that comes with the DVA mini series. Especially designed to fit perfectly with an M2M and M2S array, the MS12 is equipped with a single 12" woofer – 3" voice coil – in a bass reflex enclosure, acting as a perfect low-end extension module for DVA mini systems. This subwoofer delivers an incredible SPL considering its very compact dimensions, and it can be easily used both flown or ground stacked.

DVA MS12 comes with the new generation of exclusive digital amplifiers Digipro G3. These new amplifiers deliver a power that you can't expect from such a small amplifier. Distinguished by great new features, an exceptionally lightweight design and a very remarkable efficiency, it pushes the system performance at its maximum. In order to let the speaker play flawlessly with both 110V~ and

220V~ power, a Switched Mode Power Supply with auto-range circuit has been built inside the DVA MS12.

A practical X-over out can be used to feed signal straight to the line arrays modules, simplifying the signal and power cabling. A switch allows the user to select between the X-over or Link output mode, and another switch allows to choose between 110Hz or 140Hz crossover frequency.

The two-position Phase selector permits the reproduced audio signal to be turned by 180°. Rotation makes it easier to optimize the reproduction of the low frequencies even in the most difficult installation situations. After completing installation, play a piece of music and move the switch to achieve the best sound reproduction at low frequencies.

An integrated USB B-type port on the DVA MS12 amplifier allows the user to access the complete telemetry of the sub, monitoring the status of the speaker, including total playing hours, temperatures and performances reports. Furthermore it is possible to download a file log as a status report, as well as upgrade the Firmware of the DVA MS12 using the same USB port.

The smart design of the feet allows the user to avoid the dull removal of the flying brackets: it is possible to remove the feet in few seconds and screw them again upside-down. In this way any contact between the flying brackets and the ground is avoided, as only the rubber feet will touch it.

The subwoofer is in multi-layer birch wood with two side handles that facilitate its transport and installation. The speaker features a support with M20 thread for fastening with Ø35mm pole. It is also fitted with steel brackets and a handy locking system for fastening the various elements of the DVA MINI system.

DVA MS12

Technical Specifications

System Specifications

Speaker Type: Active bass reflex flyable subwoofer

Acoustical data

Frequency Response	[- 6dB] [-10 dB]	45 - 140 Hz 40 - 165 Hz
Max SPL	One unit	131 dB
LF		12"
LF Voice Coil		3"
Directivity		Omnidirectional

Amplifier

Amp Technology	Digipro® G3
Amp Class	Class D
Power Supply	700W SMPS with PSU Auto-range (110V~ and 220V~)
LF Amp	700 W RMS (1400 W Peak)
Cooling	Convection

Processor

Controller	DSP 56 bit
AD/DA Converter	24 bit/48 kHz
Controls:	X-Over frequency selection Phase selection (0° or 180°) Outputs mode selection (Link/X-over) Mini-USB type "B" port (service data)
Limiter	Dual active, RMS/Peak, Thermal
Crossover Frequency LF-HF	110Hz - 140Hz
LF X-over out slope	24 dB/Octave

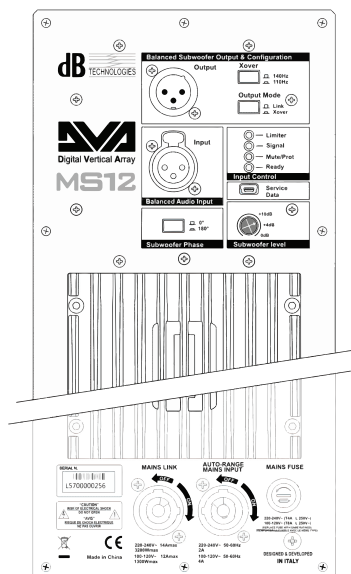
Mechanics

Housing	Multiplex birch plywood - Polyurea painting
Handles	1 x left side, 1x right side
Feet	4 x Dual Position Reversible Feet (flying/stacking mode)
Fittings	M20 screw for pole mount on top side Integrated hardware with fast lock mechanics
Dimension (WxDxD)	460 x 430 x 385 mm 18.11 x 16.93 x 15.16 in
Weight	26.5 kg 58.42 lbs.

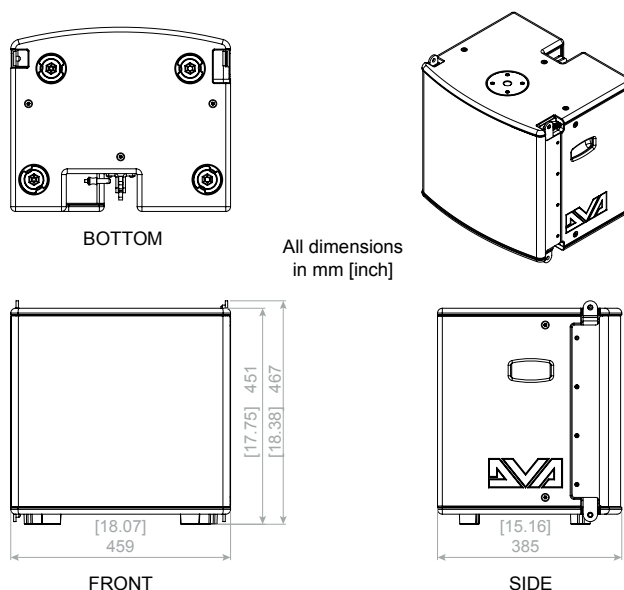
DVA MS12

Technical Specifications

Rear Panel



Overall Dimensions



Accessories

DAC 15	XLR-XLR audio cable (50 cm)
DCK 15	Cable-set with one Powercon Patch Cable (50cm) and one XLR-XLR Patch Cable (50cm)
DCK 27	Cable-set with 2 x Powercon links 70cm blue/grey and 2 x XLR M/F 70 cm
DPC 15	Powercon-Powercon power link cable (50cm)
RC MS12-SUBH	Rain cover for DVA mini MS12, SUB 15H and 18H subwoofers
DRK-M5	Fly bar for hanging up to 16 DVA Mini modules
DS2-5	Pole Mount M20 thread, 20cm length
DSA-M2	Pole mount adapter for DVA Mini modules

info@dbtechnologies.com www.dbtechnologies.com

dBTechnologies products are continually improved. All specifications are therefore subject to change without notice.