



Spec Sheet

SUB 15H

Semi Horn-Loaded Active Subwoofer
15", 1000W **Digipro G3**



Applications

- Music playback and sound reinforcement for small and mid-size venues
- Portable PA, clubs, ballrooms, live theatre
- Houses of worship, retail, restaurants/bars, corporate events
- Portable and installed audio-visual systems in small size venues

Features

- Active Semi Horn-Loaded Subwoofer
- 1000W Class-D Digipro G3 amplifier
- 56bit DSP - 24 bit \ 48 kHz A/D conversion
- Crossover freq. 90 or 120 Hz, 24 dB/Octave
- SMPS with PSU Auto-range (110V~ and 220V~)
- Delay switch up to 4.5 ms (step of 0.5 ms)
- Birch plywood housing with black PVC cover
- Standard M20 pole mount plate

Description

dBTechnologies' new H-Series subwoofers offer remarkable specifications and user-friendliness.

With 1000W (1400W Peak Power) and a high-performance 15" woofer with 3" voice coil, the Sub 15H is especially suited for small to mid-sized events, where high performance needs to be packaged into compact size.

Thanks to its unique configuration, termed Hybrid Horn-Loading, the box can be tuned to the lowest frequencies to improve system efficiency and convey a deep, enveloping sound.

Unlike conventional horn-loaded systems, Sub 15H ensure excellent efficiency even at close listening distance, which makes it suited for use even in small venues.

The new Sub 15H offers stereo inputs with selectable link or crossover outputs, a crossover frequency switch at 90 or 120 Hz, a phase inversion switch and built-in delay up to 4.5 ms (adjustable in 0.5 ms steps).

The delay helps you to improve the correct coupling with the whole line-up of dBTechnologies full-range speakers, and to make advanced subwoofer configurations without the help of any external processor (Cardioid or End-Fire or Straight Line).

The sub also feature a mini USB Type-B port to update system firmware and retrieve a telemetry log file that provides information on abnormal events, usage time and amplifier status.

The latest-generation digital amplifier Digipro™ G3 ensures excellent performance and low energy consumption thanks to its highly efficient, yet very lightweight system. The auto-range digital power supply allows it to operate both on 110V~ and on 220V~.

The new 28/56 Bit DSP with 24 Bit/48KHz A/D conv. provides sound performance above all expectations and perfect system control even under the most extreme operating conditions, thanks to its advanced limiting functions.

The PVC faced birch plywood speaker box is extra resistant also thanks to polypropylene edges that protect it from scratching or impacts during transport. This unique Hybrid Enclosure Technology offers outstanding strength and durability, making your speaker truly road-ready, with their exclusives Aluminium heavy-duty handles.

The M20 threaded mount on the top end of the box permits any type of full-range speaker to be installed using a standard pole with M20 thread.

DS2-S mini pole is also available as an option to adapt any dB Technologies speaker to 15H and 18H subs.

SUB 15H

Technical Specifications

System Specifications

Speaker Type	Semi Horn-loaded Active Subwoofer
--------------	-----------------------------------

Acoustical Data

Frequency Response	[-6dB]	40 - 120 Hz
	[-10dB]	35 - 150 Hz

Max SPL	133 dB
Directivity	Omnidirectional
LF	15"
Voice Coil	3"

Amplifier

Amp Technology	Digipro G3™
Amp Class	Class D
Power PRG	1000 W
Peak Power	1400 W
Power supply	700 W SMPS with PSU Auto-range (110V~ and 220V~)

Processor

Controller	DSP 56 bit
AD/DA Converters	24 bit / 48 kHz
Limiter	Dual Active, RMS/Peak, Thermal
Crossover Frequency	90, 120 Hz
LF-Xover out slope	24 dB/Octave
Controls	X-Over frequency selection Delay switch up to 4.5ms Phase inversion switch Outputs mode switch (Link/X-over) Mini-USB type "B" port (service data)

Inputs

Signal Input	2 x XLR
Signal Output	2 x XLR X-Over Out/Link Out

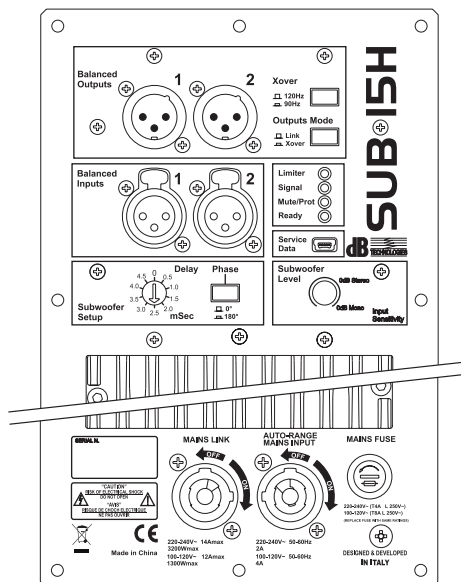
Mechanics

Housing	Birch plywood, Black PVC cover
Dimension (WxHxD)	524 x 511 x 695 mm 20.6 x 20.1 x 27.4 in
Weight	31.5 kg 69.4 lbs.

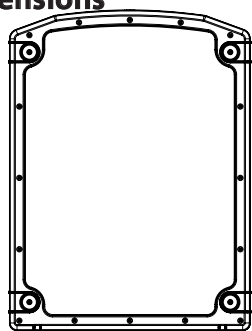
SUB 15H

Technical Specifications

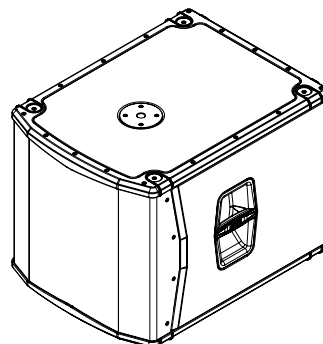
Rear Panel



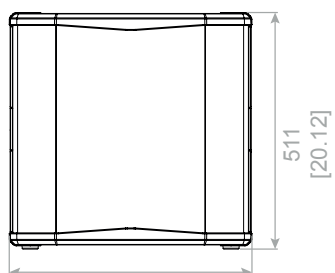
Overall Dimensions



BOTTOM



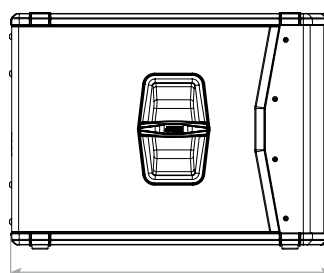
All dimensions in mm [inch]



524
[20.63]

FRONT

511
[20.12]



695
[27.36]

SIDE

Accessories

DS 2	Pole Mount 35mm, adjustable, M20 thread
DS2-5	Pole Mount M20 thread, 20cm length
RC MS12-SUBH	Rain cover for DVA mini MS12, SUB 15H and 18H subwoofers

info@dbtechnologies.com www.dbtechnologies.com

dBTechnologies products are continually improved. All specifications are therefore subject to change without notice.