



# Spec Sheet

## DRK-M5

Flybar for DVA MINI systems



### Applications

- Live sound for rental application in small and mid-size venues
- Permanent installation in theatres, houses of worship, convention centres, ballrooms,

### Features

- Flybar for hanging DVA Mini systems (DVA M2M + M2S, M2P and MS12)
- Used to hang binding loads up to 400Kg
- Clean aesthetic and very discreet look, thanks to the plastic front cover
- Innovative fast-lock mechanism for a extremely simplified rigging process

### Description

The DRK-M5 flybar is the hanging bar specifically designed for lifting systems DVA mini. It can be used to lift DVA M2M active line-array modules, DVA M2S passive line-array modules and DVA MS12 active subwoofers. Thanks to the quick-locking system, it can greatly speed up the assembly of DVA MINI systems with huge time savings.

It is equipped with a front plastic cover with the same elegant curvature of the DVA Mini Series speakers. It completely covers all metal parts of the fly-bar, contributing to create a very nice looking that makes these audio systems perfectly adaptable to any environment.

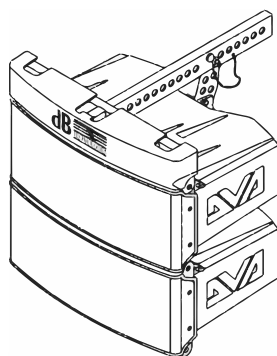
The maximum weight that can be applied to the DRK-M5 flybar depends on the attachment point of the lifting hook. In any case the maximum liftable weight ranges from 200 to 400kg (CERMET certified).

The whole hanging system have been designed and verified by technical load-tests, according to the Italian Ministerial Decree “New technical standards for construction” of 14 January 2008, and to Eurocode 1 and Eurocode 3 standards for steel structures.

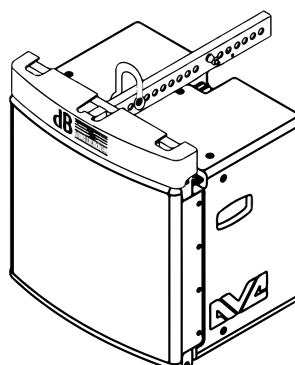
The DRK-M5 kit, in addition to the flybar, includes one fixing pin, one M5x30mm screw and a M5 flanged nut as security locking system of the first M2M, M2S or MS12 module hooked to the bar.

Finally, thanks to DVA Composer – the Acoustical Simulation and Aiming software for DVA Systems – you can easily design a stereo system composed by tops and subs. The DVA Composer also gives to the user all the information about phase alignment between flown systems and ground stacked subwoofers, as well as it suggests an optimized aiming of the line arrays modules and their suggested EQ presets, in order to guarantee maximum performances even for non-expert customers.

### Installation Examples



DRK M5 + DVA M2M and M2S



DRK M5 + DVA MS12

# DRK-M5

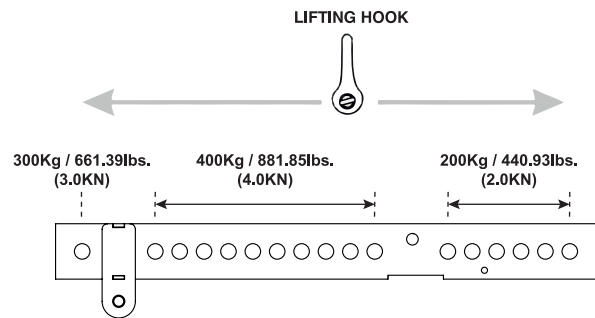
## Technical Specifications

### Specifications

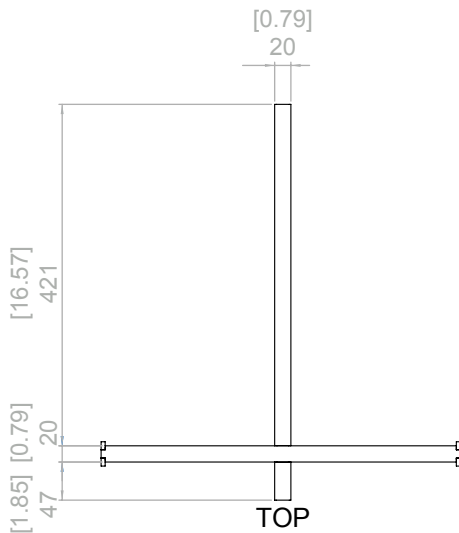
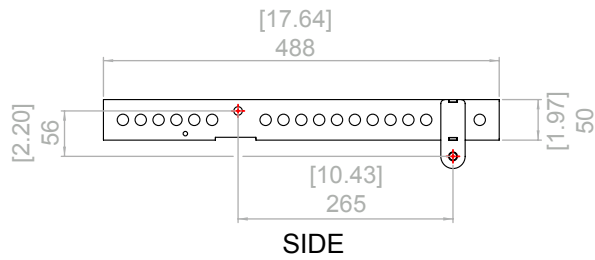
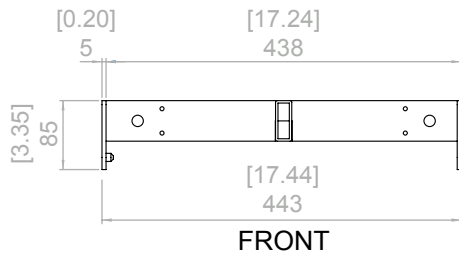
Flybar for DVA MINI audio systems

#### Lifting hook position / Maximum load

Lifting hook position	Maximum load
1	300Kg/661.39lbs (3,0KN)
2 - 11	400Kg /881.85lbs (4,0KN)
12 - 17	200Kg/440,93lbs (2,0KN)



#### Overall Dimensions



All dimensions  
in mm [inch]

