



Spec Sheet

MOVING D

Digital Wireless Microphone System

Applications

- Live Sound, -Music Clubs
- Broadcast
- Conference, House of Worship, Seminar/ Courtroom
- Sound / AV Companies
- Professional Applications

Features

- Broadband operation in the whole radio-frequency range (470 to 870 MHz)
- Country frequencies selection
- Dozens of transmitters simultaneously
- High interference rejection
- Digital quality audio with extremely low-latency
- Encrypted audio
- Innovative broadband hourglass-shaped antenna
- Fully programmable and upgradable via software

Description

MOVING-D is the first microphone wireless system in the world with 400 MHz continuous working range (from 470 to 870 MHz) without band switch. This means that it is ready for every country without the need of creating systems for local frequency bands and you don't need to change the transmitter whenever interference is experienced or regulations change. You only need to choose the Country, which recalls a batch of frequencies specifically calculated by the internal engine.

MOVING-D also feature a helpful infrared Rx/ Tx setup communication system. Once you set the operating frequencies on the Rx, you can quickly setup the Tx through this on-board system, avoiding boring manual procedures. Moreover, by using the PC software it is possible to transfer the singer name on the

OLED display of the Tx, facilitating the quick identification in case of multiple transmitters. But the real breakthrough is the innovative Tracking Filter that allows more than 20 transmitters simultaneously without having any loss in reception and audio quality. The broadband receiver, in fact, operates with narrow and automatically-tunable input filters over the whole bandwidth, permitting a lot of microphones to operate together without mutual interference. Not only that, but the D-MOVING also introduces a new 4-Level Digital Modulation System, which increases the amount of transmitted information (KBPS) while assuring the total compatibility with European regulations (ETSI).

The Cristal Clear Sound is assured by the 44.1kHz/16bit digital audio without "pumping" effect due to the "compander-free" circuitry and the patented dBTechnologies algorithm. It also offers an extremely low latency (2.8ms Max) that avoids the effect of delayed sound.

MOVING-D guarantees the utmost discretion in any context (Corporate, Military, etc.) thanks to the 48-bit random encryption key. This means that you can't decrypt the audio signal even if you use another Moving-D in the nearby. It also introduces a new special patented "antenna", which covers the whole band between 470 and 870 MHz and allows a reception within 100m. This antenna is used on all MOVING-D systems, thus eliminating the need of having more antennas for all frequencies.

A 470-870 MHz directive log-periodic antenna is also available (optional) and suggested for external and internal application where directivity is needed. Finally, each receiver is supplied with two "first use" antennas just to test the operation of the system.

A dedicated Uploader for Windows® allows you to keep up to date your MOVING D. You can connect to a PC using the USB port, upload the firmware in the Rx and then send it to the Tx via infrared. Finally, the MOVING-D Software is a complete managing app for Windows® that offers many useful tasks, including Country freq. selection, spectrum analyzer, automatic freq. scan, intermodulation calculation, transmitter gain adjust and many others.

MOVING D

Technical Specifications

System Specifications (MOVING D-H, MOVING D-B)

Type of receiver	Digital wide band true diversity
Band-width	470 ÷ 870 MHz
Working range	100m (outdoor)
Operating	More than 12000 frequencies selectable
Minimum frequency step	25 kHz
Modulation	Digital Multilevel Modulation
AD /DA converter	24 bit
Sample rate	44.1 kHz
Latency	2.8 ms Max with the encryption ON
Signal to noise ratio	> 104 dB nominal
Distortion	THD < 1%
According to Directive 1999/5/EC	ETSI EN 300 422-1/-2 ETSI EN 301 489-1/-9 EN 61000-3-2/3

Receiver - MOVING D-R

Operating frequency	470 ÷ 870 MHz
Modulation	Digital
Deviation	55 kHz
Diversity function	Yes
Frequency stability (-10° +50°C):	ETSI EN 300 422-1/-2 ETSI EN 301 489-1/-9 EN 61000-3-2/3
Antennas	2 BNC removable
Audio output	0 dBm/600 ohm, balanced line/unbalanced
Frequency response	35Hz to 19kHz ~ 3dB
Distortion	THD < 1%
Sensitivity	Up to -90dBm
Signal to noise range	104 dB typical
Power supply	12 - 15 VDC
Power consumption	550 mA
Temperature range	-10°C / +50°C
Display	Blue and withe LCD graphic dis.
PC Interface	USB Mini-B
System Interface	RJ-35 connector for HUB 800
Infrared system	Yes
Dimensions	Half rack size (19" rack mount frame adapter available)
Weight	750g – 1.65lbs.

MOVING D

Technical Specifications

Hand-held Transmitter (MOVING D-H)

Operating frequencies	470 ÷ 870 MHz
RF output power	10mW, -50mW ERP
Modulation	Digital
Deviation	55 kHz
Frequency stability (-10° +50°C):	ETSI EN 300 422-1/-2 ETSI EN 301 489-1/-9 EN 61000-3-2/3
Aerial	Integrated
Microphone capsule	Bayerdynamic® TG-X58 dynamic cardioid capsule
Frequency response	35 Hz to 19 kHz ~ 3dB
Input sensitivity	Adjustable
Input limiter	Yes
Distortion	THD < 1%
Infrared system	Yes
Display	OLED display
Batteries	2x 1.5V AA type, high capacity
Power consumption	150 mA
Low battery warning	Yes
Battery life	> 7 hours
Weight	350g – 0.77lbs. (with batteries)

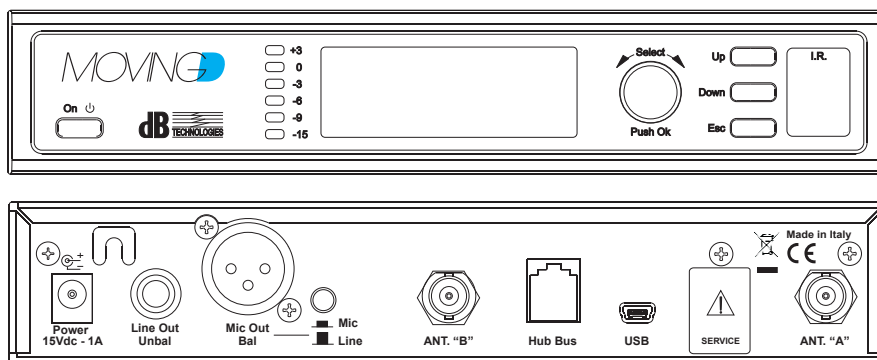
Bodypack Transmitter (MOVING D-B)

Operating frequencies	470 ÷ 870 MHz
RF output power	10mW, -50mW ERP
Modulation	Digital
Deviation	55 kHz
Frequency stability (-10° +50°C):	ETSI EN 300 422-1/-2 ETSI EN 301 489-1/-9 EN 61000-3-2/3
Aerial	Integrated
Mic Input Connector	4-Pin Mini-XLR Compatible Beyerdynamic / Shure
Frequency response	35 Hz to 19 kHz ~ 3dB
Sound input sensitivity	Adjustable
Input limiter	Yes
Peak Indicator	Yes (Also on receiver display by telemetry)
Distortion	THD < 1%
Infrared system	Yes
Display	OLED display
Batteries	2x 1.5V AA type, high capacity
Power consumption	150 mA
Low battery warning	Yes
Battery life	> 7 hour
Weight	00g – 0.44lbs. (with batteries)

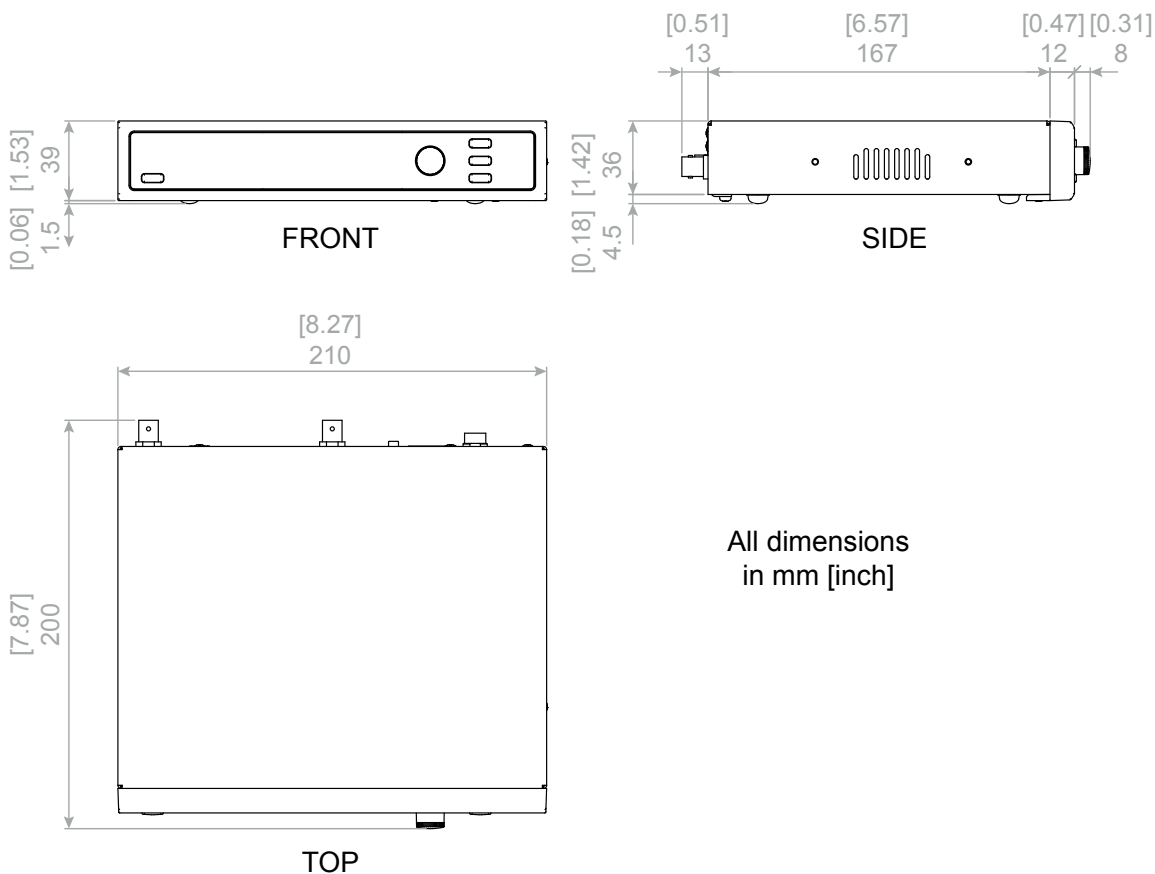
MOVING D

Technical Specifications

MOVING D-R Front and Rear Panel



MOVING D-R Overall Dimensions



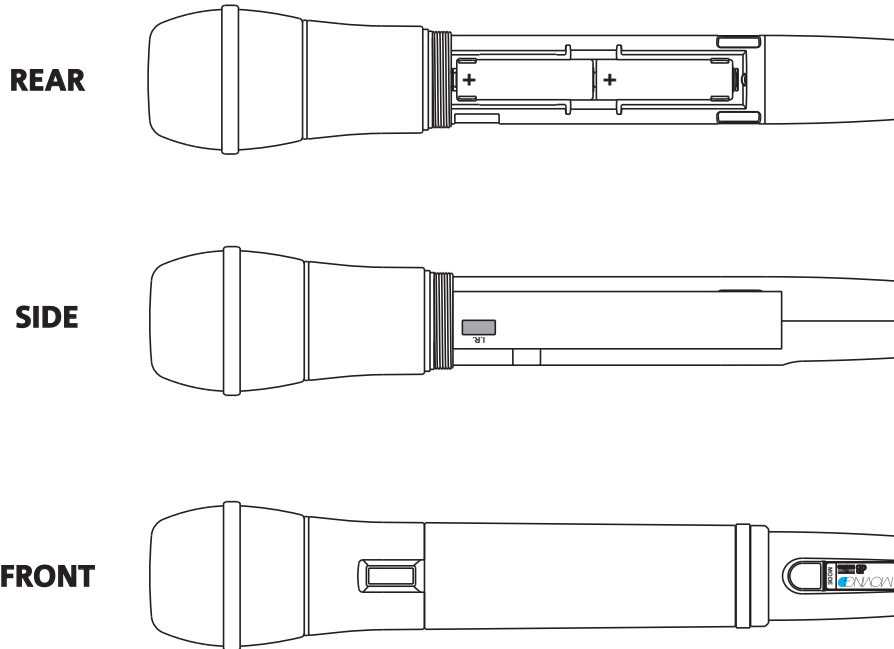
MOVING D-R Accessories

MOVING D-ANT	Kit composed by 2x PWA 800 wide band antenna and 2x stand adapters
RDA800W	Passive directive antenna, in band 470 .. 864.950 MHz
AA800W	Low noise antenna amplifier, in band 470 .. 864.950 MHz
UPA800	Antenna attenuator

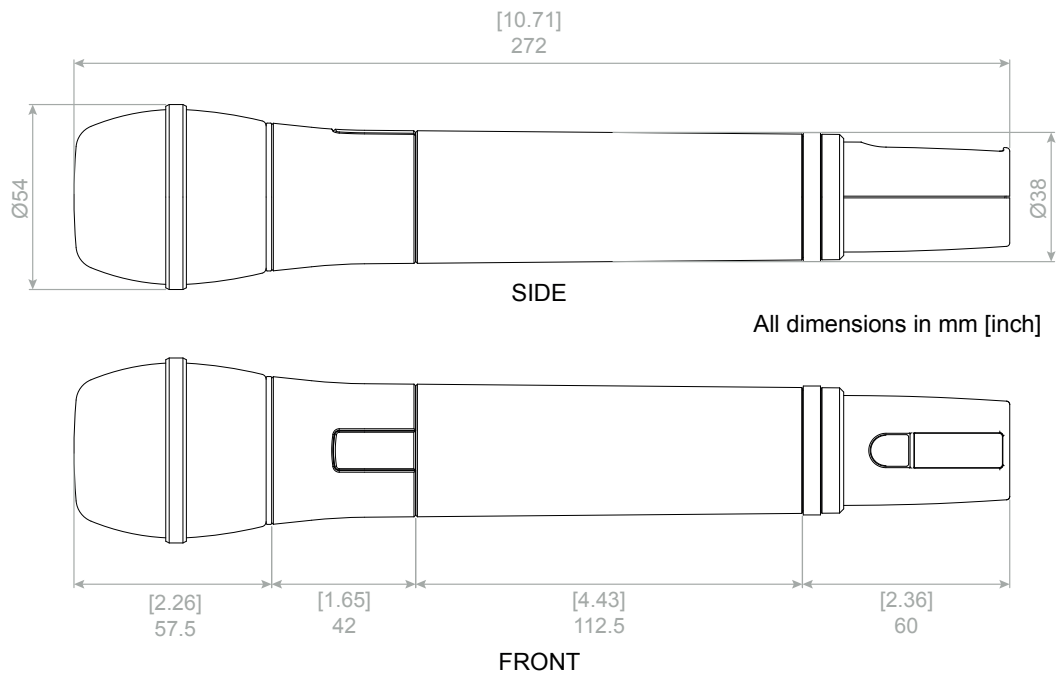
MOVING D

Technical Specifications

MOVING D-H Front, Side and View



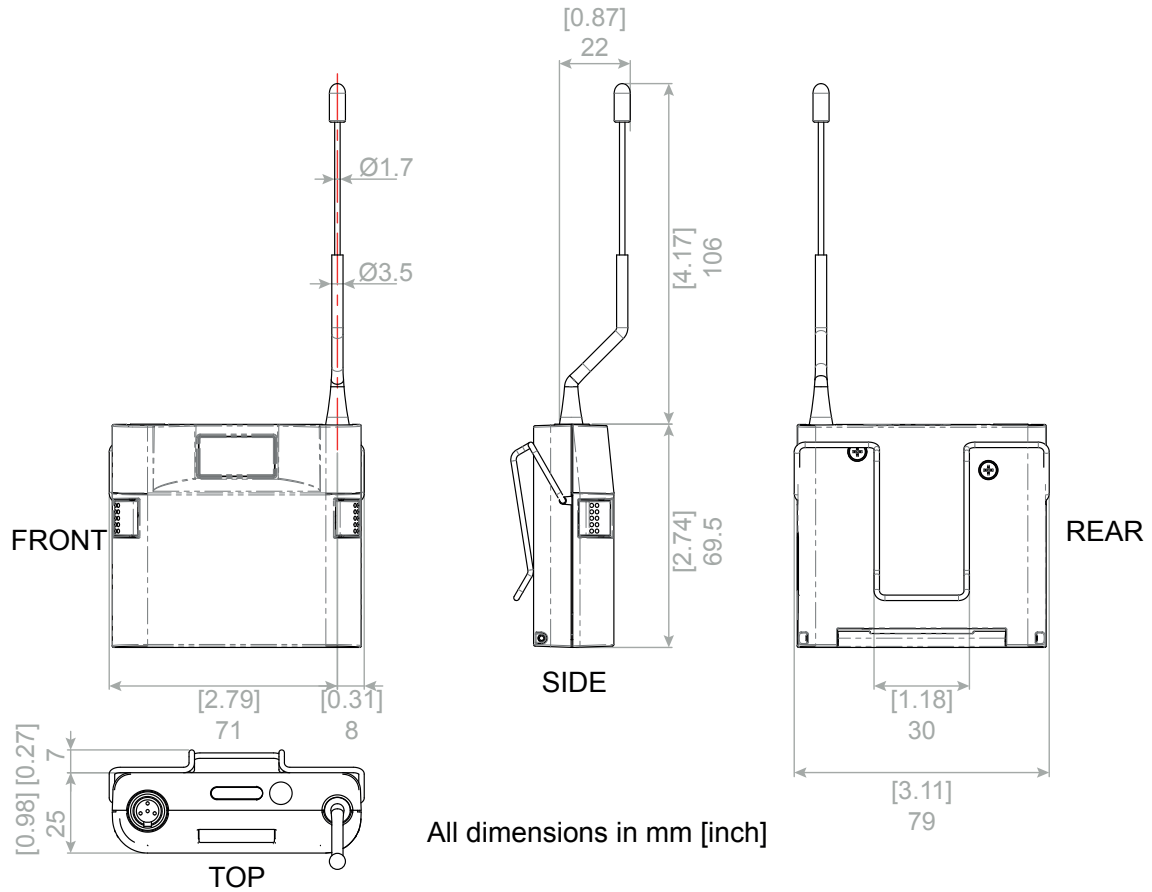
MOVING D-H Overall Dimensions



MOVING D

Technical Specifications

MOVING D-B Overall Dimensions



MOVING D-R Accessories

LMB 1000MX	Lavalier Microphone
VH 800SK	Beyerdynamic Headset microphone
VH 800G	Guitar Cable