

The logo for INGENIA features a stylized icon of three horizontal bars of varying lengths, with the longest bar on the left and the shortest on the right, all contained within a square frame. Below this icon, the word "INGENIA" is written in a bold, black, sans-serif font. The letter 'E' is uniquely designed with a diagonal slash through it.

INGENIA

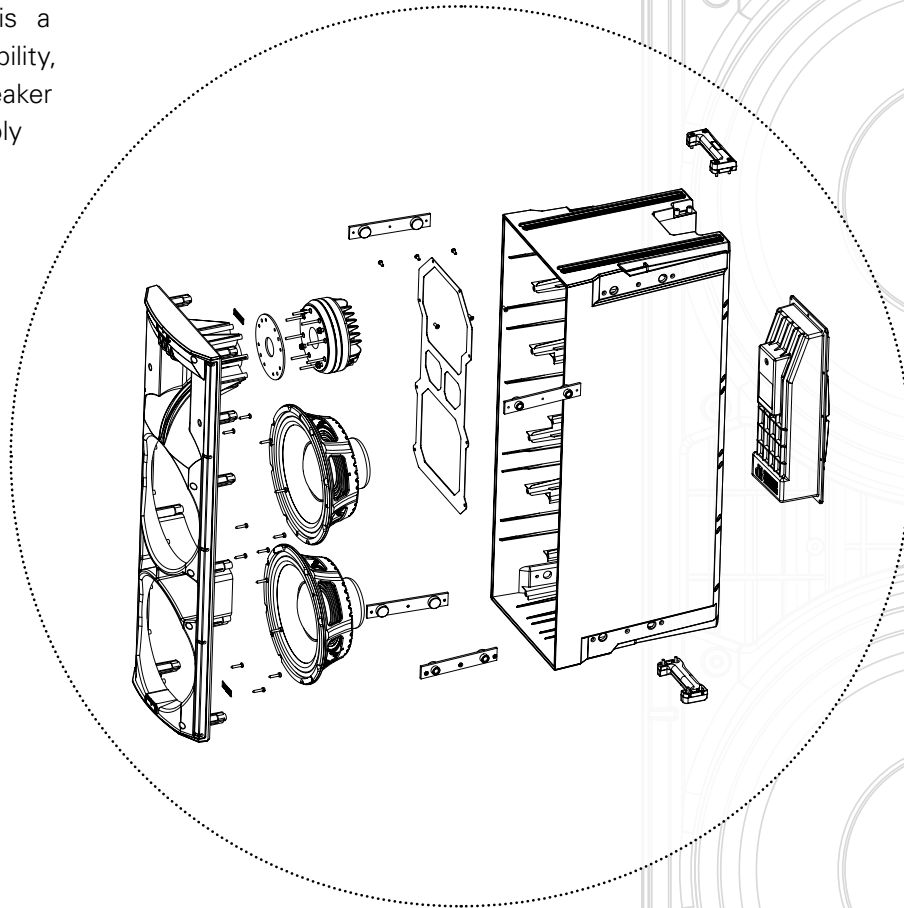




INGENIA – A PEERLESS PA

INGENIA: fresh, inspiring ideas, audio expertise, decades of experience in the accurate development of acoustical, mechanical and electronic components and DSP — the remarkable INGENIA system is a combination of all this and more. A powerful PA unrivaled in flexibility, scalability and ease of use, INGENIA is not simply an active speaker system, a columnar speaker or a line array. INGENIA is simply INGENIA, a new breed of sound reinforcement system!

DJ STARTER
GALA / EVENT
CLUB PA / PARTY
JAZZ / CLASSIC
OPEN-AIR



IG1T

The IG1T is the perfect tool for events requiring the most accurate speech intelligibility. Thanks to its compact dimensions, it is the go-to choice for conventions, conferences in hotels, large classrooms and smaller meeting rooms. Deployable as a single speaker or in a head stack and equipped with an asymmetrical horn, it delivers clean, crisp coverage all the way to the back row. It's even powerful enough to be used as delay speakers for larger systems.



- 2-way powered speaker
- 2 x 6.5" neodymium woofer / 1" compression driver
- 400 W RMS digipro G3
- 56-bit DSP

IG2T

Loaded with two 8" woofers, the IG2T provides impressive, faithful fullrange coverage to render both speech and music across the frequency spectrum, for example, in bars, clubs and small theaters. Deployed as a mobile unit for gala events or permanently installed in theaters and small venues, the IG2T delivers equally persuasive and powerful performance in many different solutions.



- 2-way powered speaker
- 2 x 8" neodymium woofer / 1" compression driver
- 400 W RMS digipro G3
- 56-bit DSP

IG3T

The IG3T is the most powerful INGENIA series model. A single IG3T enclosure mounted on a stand delivers the performance you would expect from a classic 15"/ 2" speaker combination. And a couple of IG3Ts paired with subwoofers gives you a full-fledged PA for small clubs.

The dual 10" array certainly packs an impressive punch. And with the support of an added set of SUB18Hs, these enclosures combine to configure a real rock 'n' roll PA for open air events, gala shows and multipurpose halls. The IG3T continues delivering compelling performance even when pushed well beyond conventional systems' limits. Yesterday it took a small line array to provide coverage for small open air festivals. Today two pairs of IG3Ts flown in head-to-head stacks get the job done, throwing sound across distances as far as 50 meters.



- 2-way powered speaker
- 2 x 10" neodymium woofer / 1.4" compression driver
- 900 W RMS digipro G3
- 56-bit DSP

IG4T

Loaded with four 6.5" woofers, the IG4T is the leanest and tallest INGENIA model. These speakers are arrayed in a column to maximize low-mid frequency coupling, which vastly improves directivity and reach. Speech is rendered warmly and clearly until the further reaches of the audience. The IG4T's richly detailed response is particularly impressive for concerts featuring acoustic instruments, classical and jazz music. With its unobtrusive, streamlined look, the IG4T is also an excellent option for permanent installation in multipurpose halls, convention centers and theaters.



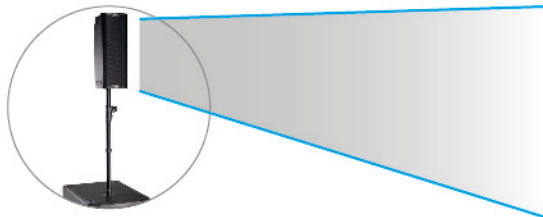
- 2-way powered speaker
- 4 x 6.5" neodymium woofer / 1.4" compression driver
- 900 W RMS digipro G3
- 56-bit DSP

INGENIA – THE SCALABLE TWO-WAY SPEAKER

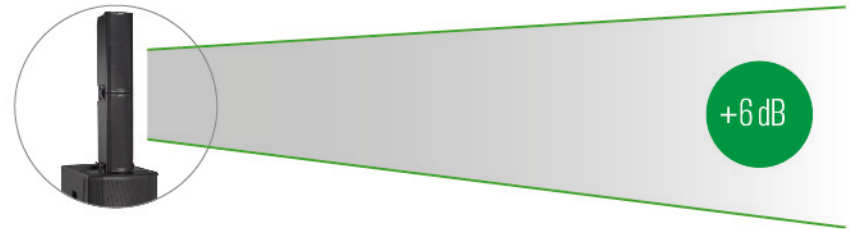


INGENIA is the result of a two-way speaker system mixed with a line array technology

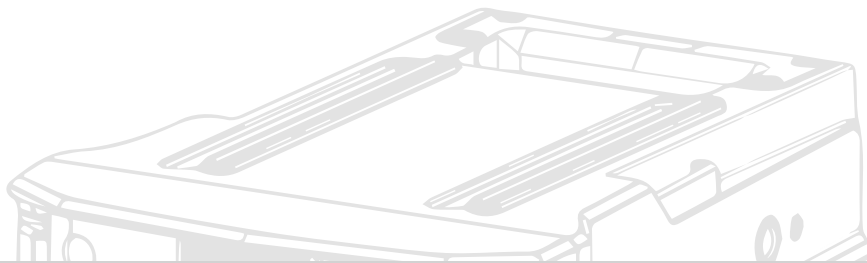
The excellent response and homogenous audio image served up by just one INGENIA enclosure on each side meets the needs of for a wide range of events. A dual array, in turn, delivers performances powerful enough for open-air applications. The diaphragms of two vertically aligned woofers (or four in the IGT4's case) add up to a greater membrane surface area. Each INGENIA model can be paired with a second enclosure of the same type to configure a column. The asymmetrical CEC Horn maximizes frequency coupling, and the resultant +6 dB boost extends the speaker's throw considerably. Engineered for utmost handling ease, INGENIA is your gateway to a superior audio system.



Outstanding performance guaranteed even with just a single INGENIA speaker on each side



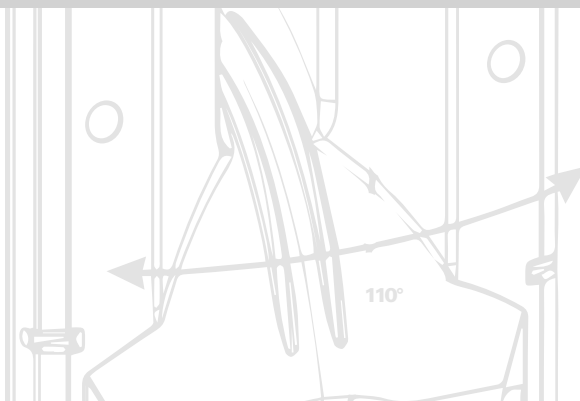
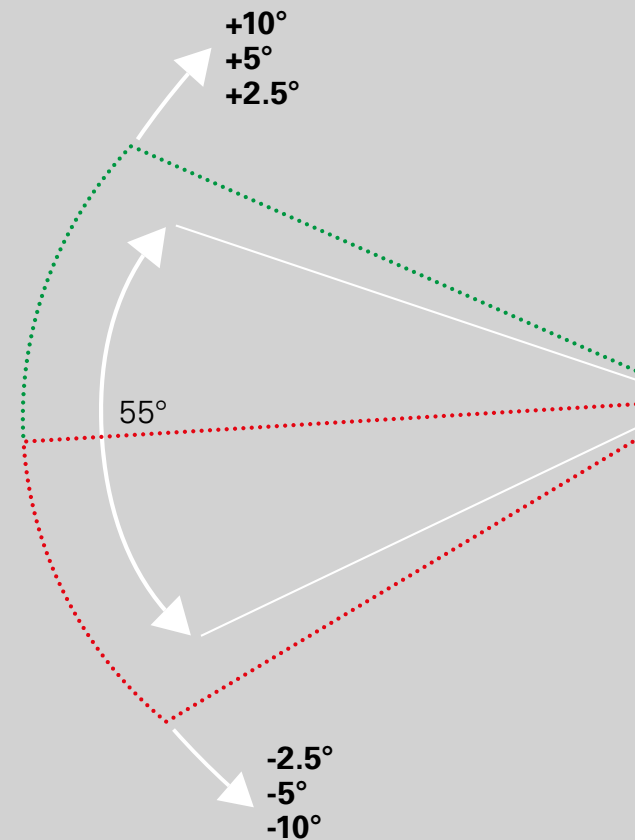
Extended range with head-stacked INGENIA enclosures



CEC – Controlled Energy Coverage

dBTechnologies developed CEC technology to direct the sound energy generated by the driver towards the audience with utmost efficiency and precision. Sophisticated speaker ducts create a directivity pattern that is asymmetrical on the vertical axis. Very little sound is projected upwards, thereby reducing undesirable ceiling reflections and delivering a clearer, truer sonic image. The forward projection towards the audience is enhanced so that everyone enjoys a sumptuous audio experience, including the people in the front row.

This wave front is shaped and controlled using powerful DSPs and innovative digital algorithms. When two powered loudspeakers equipped with CEC technology are stacked head to head, their directivity is adjusted by means of what we call 'digital steering'. This algorithm serves to shape the throw pattern without having to physically re-align the speakers.



INGENIA –

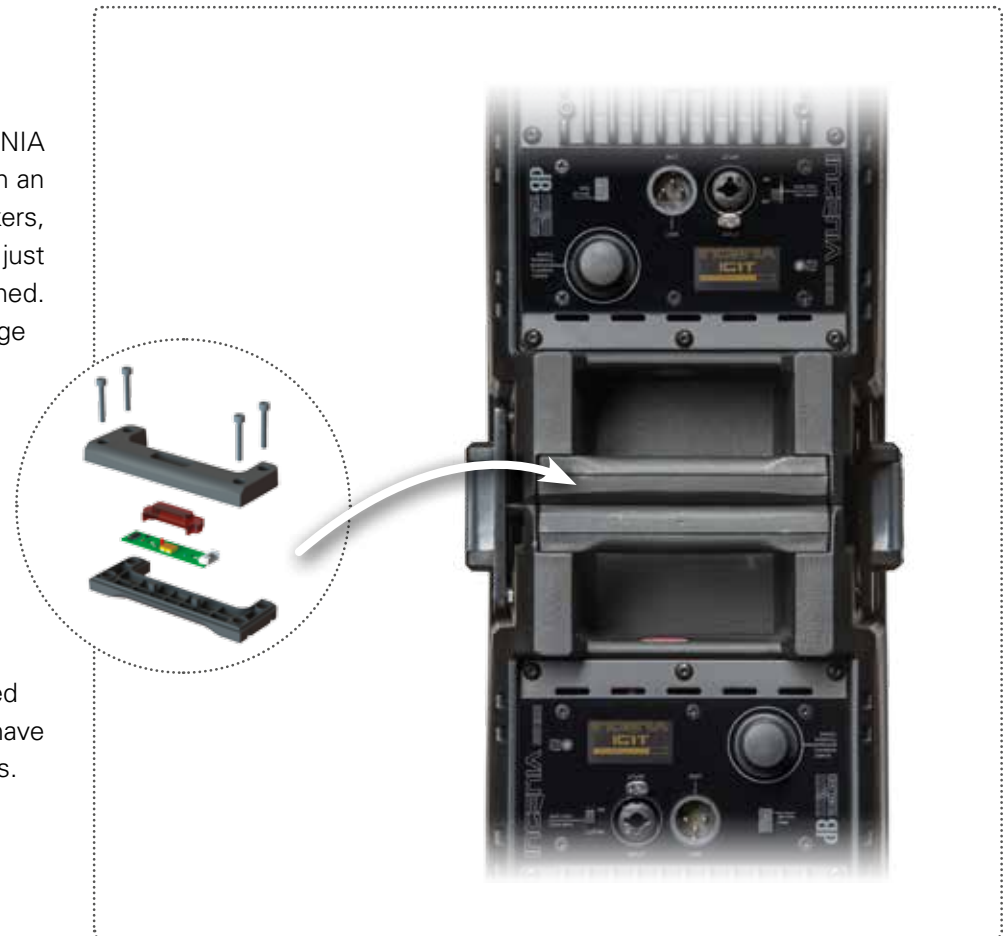
READY TO GO IN A FEW SIMPLE MOVES

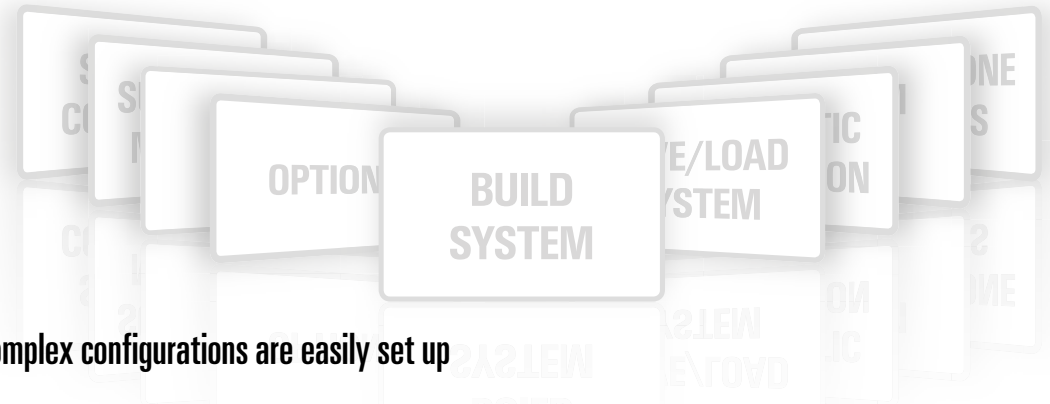
Innovative materials, new technologies, great expertise in active speaker designing – it all adds up to a unique PA with remarkable benefits: INGENIA

Setting up INGENIA is an exercise in convenience, safety and speed. All INGENIA models come in a robust yet stylish polypropylene housing reinforced with an integrated aluminum frame. Loaded with state-of-the-art neodymium speakers, these are genuine featherweights that punch way above their weight. At just 10 to 20 kg, INGENIA enclosures are readily and swiftly mounted and aimed. INGENIA may be deployed in several configuration options — as fullrange speakers, with **dB**Technologies subwoofers, and as a head stack. Every INGENIA model may be paired with a second identical enclosure. In this dual configuration, the asymmetrical CEC horn couples frequencies to boost SPL by as much as 6 dB.

EPD – Element Position Detection

An integrated IR port transmitter provides a wireless data link between two INGENIA speakers, so that no cable is needed. What's more, the powered speaker reports its alignment and position to the DSP so that all settings have to be made on just one speaker. This saves time and rules out setup errors.

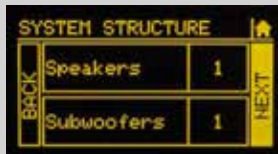




INGENIA adapts to your needs!

The intuitive menu on the OLED display is so easy to navigate that even complex configurations are easily set up

Build System



The system builder lets you configure the perfect rig for the gig in few simple steps. An on-board EPD system detects if a second INGENIA enclosure is in the area. Adding and adjusting subwoofers couldn't be any easier.

Gain Settings



Dialing in the right level for incoming signals is simple.

Acoustic correction



Frequencies are easily tweaked with the on-board three-band equalizer.

Microphone Settings



You can activate a high-pass filter and adjust anti-feedback frequencies for microphones that are plugged straight into the system.

System Delay



INGENIA models may be also used as delay speakers, as the delay time is adjustable to 126 ms in 0.5 ms steps.

Save/Load System



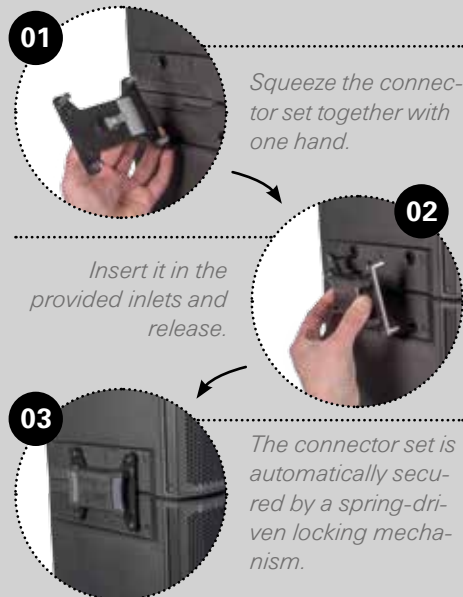
Any setting can be saved and recalled.

INGENIA – SMART TO CONNECT, STACK AND FLY

All INGENIA models are equipped with a D36 mm speaker stand mount and built-in rigging sleeves for easy stacking and flying. Integrated aluminum reinforcement ensures stability and safety for standalone speakers and speaker connected with the very handy INGENIA accessories. All accessories are designed to adapt to all INGENIA models.

A simple yet secure connection

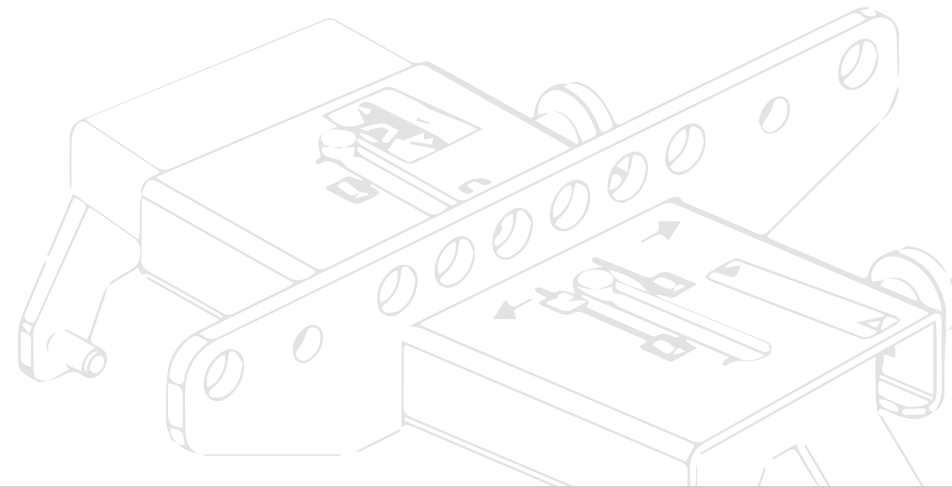
Two INGENIA speakers are easily and securely joined using the LP-IG connector set. It fits all INGENIA models.



Stacking speakers

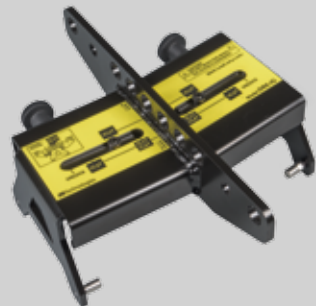
The GSA IG ground stack adapter is the fastest and easiest way of stacking enclosures on **dB**Technologies subwoofers.



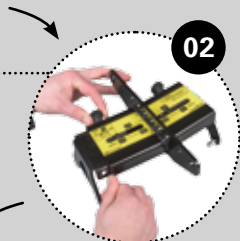


DRK-IG: Flybar

The DRK-IG flybar allows you to fly one or two INGENIA models. It fits all INGENIA models and is mounted in just three simple steps!



Adjust the DRK-IG to fit the given INGENIA model.



Pull the spring locking bolt and adjust it to the mark.



Attach it to the INGENIA speaker using the mounts provided.

TA-IG: Truss adapter

The truss adapter attaches the DRK-IG flybar quickly and securely to stage trusses.



STA-IG: Spigot Truss adapter

The spigot truss adapter attaches the DRK-IG flybar to TV spigot.



Transport

Flight cases, gig bags and rain covers are available for all INGENIA models*.



*only available in BeNeLux, Germany and Austria

INGENIA – SETS

INGENIA is a truly multifunctional PA. With just a few enclosures, you can put together the perfect combination for practically every application. Public address at conferences and meetings, a sound system for small parties, a DJ set up, a club rig or sound reinforcement in pavillions whatever your needs may be, easy-to-handle INGENIA speakers and their smart accessories fitting all models will get the job done right and smoothy.



DJ STARTER

GALA / EVENT

CLUB PA / PARTY

JAZZ / CLASSIC

OPEN-AIR

IG1T
+
SUB 15H



2 x IG1T
+
2 x SUB 15H



IG2T
+
SUB 15H



IG3T
+
SUB 18H



2 x IG3T
+
2 x SUB 18H



IG4T
+
2 x SUB 15H



IG4T
+
SUB 18H



2 x IG4T
+
2 x SUB 18H



2 x IG3T
+
2 x SUB 18H



INGENIA – ACCESSORIES

RC-M1 Rain cover

Magnetic cover for all INGENIA models



GSA-IG Ground stacking adapter

Adapter for stacking INGENIA speakers on dBTechnologies subwoofers



*DVA S09 DP,
DVA S10 DP,
DVA S1521 N,
DVA S1518 N,
DVA S2585 N,
SUB 15H,
SUB 18H*

DS2-S Mini pole

M20 pole mount that fits all subwoofers with an M20 thread



LP-IG Link plugs

Link plugs for stacking or flying two INGENIA speakers



DRK-IG Flybar

Rigging frame for all INGENIA models.



TA-IG Truss adapter

Used for attaching DRK-IG flybar to stage trusses



STA-IG Spigot truss adapter

Used for vertical angeling with TV Spigot clamps



WB-IG Wall bracket

Used for wall mounting, either vertically (1 or 2 coupled speakers) or horizontally (only 1 speaker)

*WB-IG14 for IG1T and IG4T
WB-IG2 for IG2T*



DPTC-1000M Main cable

Mains power cord with PowerCon TRUE1 (10 m)



DPTC-120L DPTC-160L Link cable

PowerCon TRUE1 – PowerCon TRUE1 Link cord (120 cm and 160 cm)



	IG1T	IG2T	IG3T	IG4T
Speaker Type	2-Way Active Speaker	2-Way Active Speaker	2-Way Active Speaker	2-Way Active Speaker
Frequency Response [- 10dB]	85 - 20.000 Hz	59 - 20.000 Hz	53 - 20.000 Hz	74 - 20.000 Hz
Frequency Response [- 6dB]	92 - 19.200 Hz	63 - 19.200 Hz	57 - 19.200 Hz	88 - 19.200 Hz
Max SPL	128	128	132	132
HF	1", 1.4" VC	1", 1.4" VC	1.4", 3" VC	1.4", 3" VC
Directivity (HxV) [- 6dB]	100 x 80° (+15°/- 65°)	100 x 80° (+15°/- 65°)	110 x 90° (+20°/- 70°)	110 x 90° (+20°/- 70°)
HF Type	Neodymium compression driver	Neodymium compression driver	Neodymium compression driver	Neodymium compression driver
Horn	Vertical asymmetric	Vertical asymmetric	Vertical asymmetric	Vertical asymmetric
Crossover Frequency	2100 Hz	1900 Hz	1100 Hz	1100 Hz
LF	2 x 6.5", 1.5" VC	2 x 8", 2" VC	2 x 10", 2.5" VC	4 x 6.5", 1.5" VC
LF Type	Neodymium	Neodymium	Neodymium	Neodymium
Amp Technology	Digipro® G3	Digipro® G3	Digipro® G3	Digipro® G3
Amp Class	Class-D	Class-D	Class-D	Class-D
RMS Power	400 Watt	400 Watt	900 Watt	900 Watt
Peak Power	800 Watt	800 Watt	1800 Watt	1800 Watt
Controller	DSP 56 bit	DSP 56 bit	DSP 56 bit	DSP 56 bit
AD/DA converter	24bit/48kHz	24bit/48kHz	24bit/48kHz	24bit/48kHz
DSP Settings	Acoustic correction, HPF, Anti-feedback filters, delay	Acoustic correction, HPF, Anti-feedback filters, delay	Acoustic correction, HPF, Anti-feedback filters, delay	Acoustic correction, HPF, Anti-feedback filters, delay
Limiter	Dual Active Peak, RMS, Thermal	Dual Active Peak, RMS, Thermal	Dual Active Peak, RMS, Thermal	Dual Active Peak, RMS, Thermal
User Interface	OLED display + rotative knob w/switch	OLED display + rotative knob w/switch	OLED display + rotative knob w/switch	OLED display + rotative knob w/switch
Input	1 x Combo (XLR + TRS) / 1 x PowerCON TRUE1	1 x Combo (XLR + TRS) / 1 x PowerCON TRUE1	1 x Combo (XLR + TRS) / 1 x PowerCON TRUE1	1 x Combo (XLR + TRS) / 1 x PowerCON TRUE1
Output	1 x XLR link / 1 x PowerCON TRUE1	1 x XLR link / 1 x PowerCON TRUE1	1 x XLR link / 1 x PowerCON TRUE1	1 x XLR link / 1 x PowerCON TRUE1
Housing	Polypropylene PP reinforced	Polypropylene PP reinforced	Polypropylene PP reinforced	Polypropylene PP reinforced
Flyable	Yes	Yes	Yes	Yes
Handles	1x on top / 1x on bottom	1x on top / 1x on bottom	1x on top / 1x on bottom	1x on top / 1x on bottom
Pole Mount	Standard D36mm	Standard D36mm	Standard D36mm	Standard D36mm
W / H / D in mm	195 / 536 / 271	228 / 646 / 315	280 / 806 / 393	195 / 956 / 271
Weight	10.8Kg (23.81 lbs.)	12.8Kg (28.22 lbs.)	20.8Kg (45.86 lbs.)	18.2Kg (40.12 lbs.)
Color	black	black	black	black / white

dBTechnologies

AEB Industriale s.r.l.

Via Brodolini 8 · 40053 Valsamoggia BO · Italy

Tel: +39 051 96 98 70

Fax.: +39 051 96 97 25

Email: info@dbtechnologies-aeb.com

www.dbtechnologies.com

dBTechnologies Deutschland GmbH

Hansestrasse 93 · 51149 Cologne · Germany

Tel: +49 (0) 2203 92537 -0

Fax.: +49 (0) 2203 92537 -73

Email: info@dbtechnologies.de

www.dbtechnologies.de



v.1