

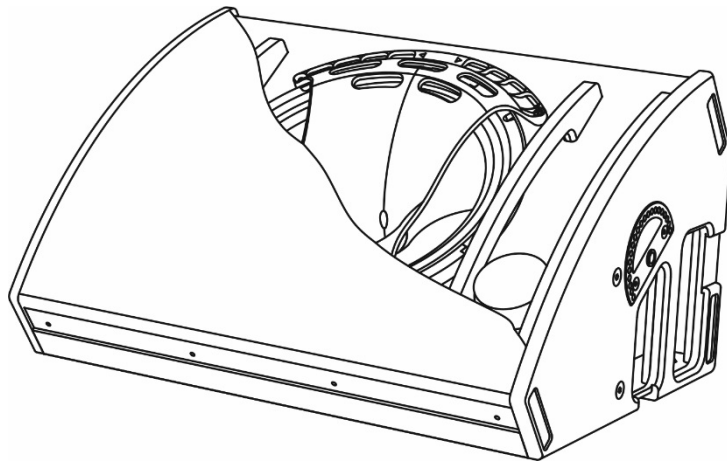
W15T

Professional Coaxial Active Stage Monitor

1x 15" - 3" v.c. LF

1x 1.3" - 3" v.c. coaxial HF

RDNet ON BOARD



Quick start user manual

Section 1

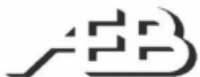
The warnings in this manual must be observed together with the "USER MANUAL - Section 2".

Le avvertenze nel presente manuale devono essere osservate congiuntamente al "MANUALE D'USO - Sezione 2".

Die Warnungen in diesem Handbuch müssen in Verbindung mit der "BEDIENUNGSANLEITUNG - Abschnitt 2" beobachtet werden".

Les avertissements spécifiés dans ce manuel doivent être respectés ainsi que les "CARACTERISTIQUES TECHNIQUES - Section 2".

Las advertencias del presente manual se deben tener en cuenta conjuntamente con las del "MANUAL DEL USUARIO" - Sección 2".



A.E.B. Industriale Srl Via Brodolini, 8 Località Crespellano 40053 VALSAMOGGIA BOLOGNA (ITALIA)
Tel +39 051 969870 Fax +39 051 969725 www.dbtechnologies.com info@dbtechnologies-aeb.com



Thank you for choosing a dBTechnologies Product!

The VIO W15T is a versatile coaxial 2-way active stage monitor. It is equipped with one 1" compression driver (1.3" voice coil), and one 15" woofer (2" voice coil). The coverage pattern is 80° (H) x 60° (V). The horn is rotatable and the mechanical design allows also the vertical usage (pole mounted) or the wall mounted one, thanks to the WB-VIO15T optional bracket . A powerful DSP can adapt the live or playback performances to different usage scenarios. The RDNNet section allows a depth remote control, using AURORA NET software.

Check the site www.dbtechnologies.com for the complete user manual!

1) Unpacking

The box contains:

N°1 ViO W15

N°1 FUSE

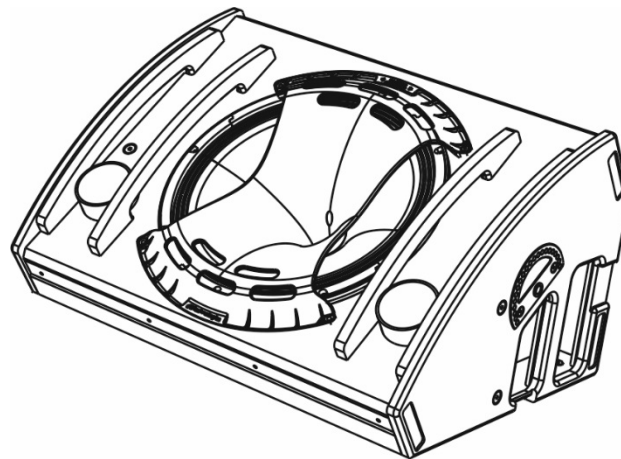
N°1 Mains cable (POWERCON TRUE1)

This quick start and warranty documentation

2) Easy installation

ViO W15 is equipped with:

Those mechanical particulars were thought for an easy use and for different configuration needs.

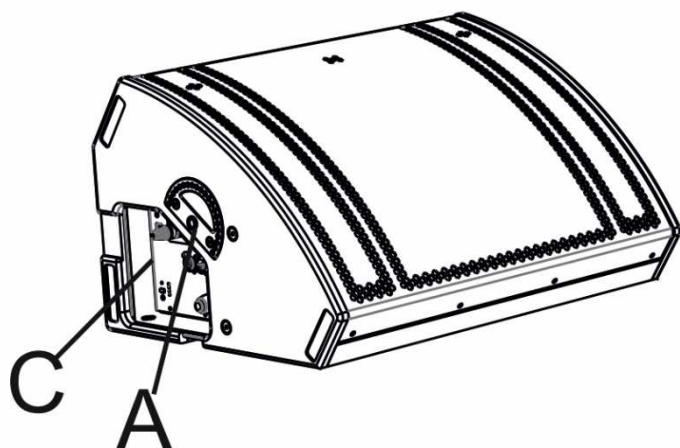
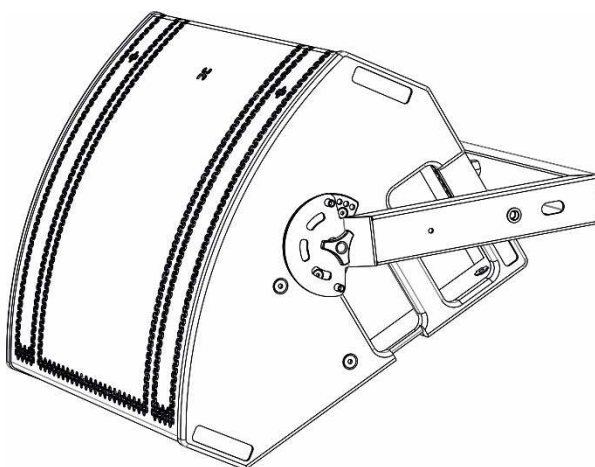
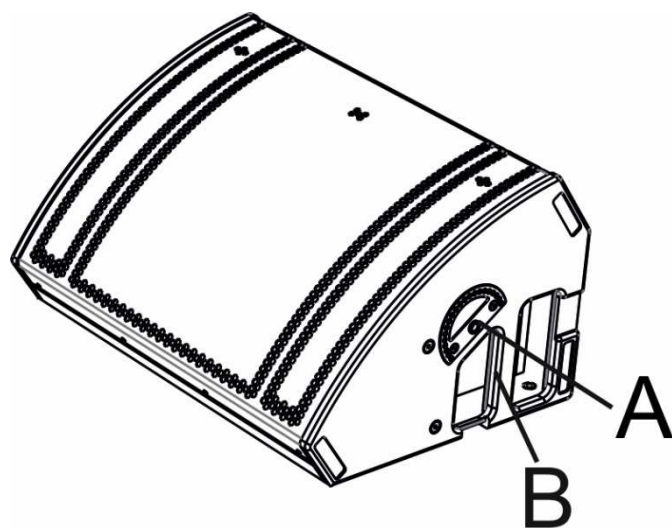


The acoustical design allows to face different environments. The rotatable horn is shown in the upper picture.

As described, the related pattern data are:

a) vertical coverage: 60°

b) horizontal coverage: 80°



A – Mechanical housings for wall bracket

B – Handle

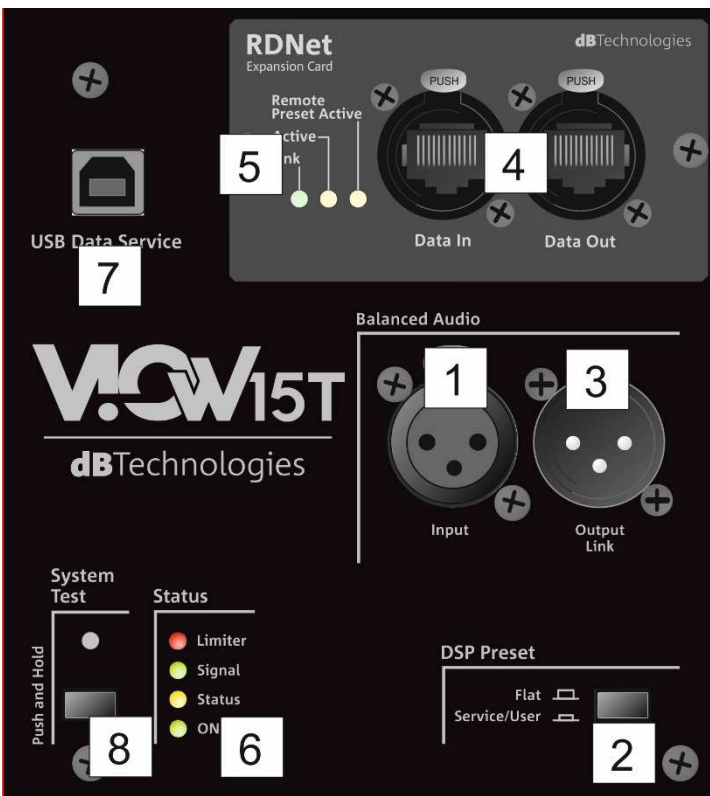
C – Connections and control panel

3) Optional accessory

The WB-VIO15T is the optional accessory for the wall-mounting installation of WB-VIO15T. See the related instruction for further details.

4) Connections and controls

All the connections and controls are in the amplifier panel, on the side of the monitor:



- 1) Balanced Audio Input
- 2) DSP preset
- 3) Output Link
- 4) RDNNet Data In/ Data Out
- 5) RDNNet control LEDs
- 6) Status LEDs
- 7) USB Data Service
- 8) System Test button
- 9) Mains Input
- 10) Mains Link
- 11) Mains Fuse

a) Connect the audio input (1). Select the DSP preset mode (2).

b) If you need to link the VIO W15T to another one, please use a cable with XLR connectors (not supplied). Connect the Link output (3) of the first, to the balanced Input (1) of the second one.

c) Plug properly the mains POWERCON TRUE1 cable (supplied) in the related input (9) to turn on the system.

d) In case of remote control, connect the proper Data Input (4) of the first module of the line-array to the hardware remote controller (RDNNet Control 2 or RDNNet Control 8) with cables equipped with etherCON connectors. Then connect the Data Output (3) of the first module to the Data Input (3) of the second one, and so on. When your W15T is on and the RDNNet network is on and it has recognized the connected device, the LED "Link" (5) is on. The other LED (5) "Active" start blinking when there is the presence of data transmission, the "Remote Preset Active" advise that all the local controls set on the amplifier panel (DSP preset) are by-passed and controlled remotely by RDNNet.

See also RDNNet Control 2 and RDNNet Control 8 user manuals for further information.

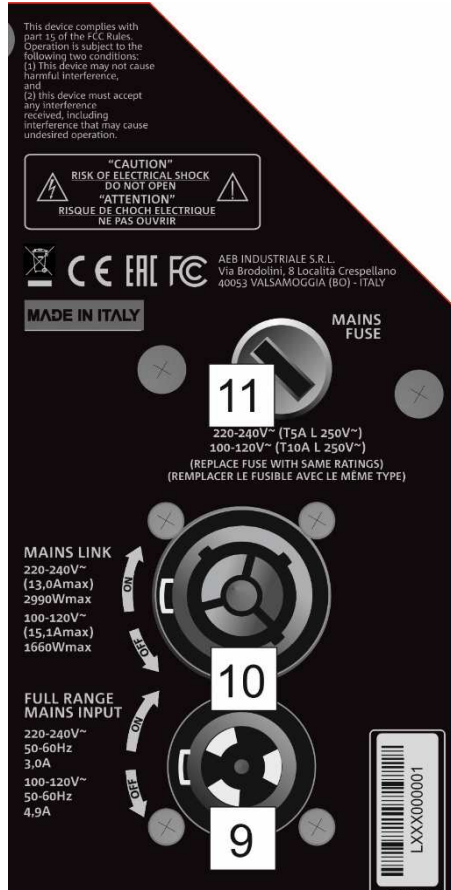
Check the complete user manual on www.dbtechnologies.com for further information about the system and available accessories.

Scarica il manuale completo da www.dbtechnologies.com per ogni ulteriore informazione sul sistema e sugli accessori disponibili.

Für weitere Informationen und verfügbares Zubehör lesen sie bitte die vollständige Bedienungsanleitung unter www.dbtechnologies.com.

Vérifiez le manuel de l'utilisateur complet sur www.dbtechnologies.com pour des informations complémentaires du système et des accessoires disponibles.

Compruebe el manual de usuario completo sobre www.dbtechnologies.com para la información adicional sobre el sistema y accesorios disponibles.



Technical Data

Speaker Type: Coaxial Active Stage Monitor

HF Transducer: coaxial (Exit: 1.4", V.C. 3.0")

LF Transducer: 15" (V.C: 3")

Frequency Response [-6 dB]: 55 Hz - 16 kHz

Frequency Response [-10 dB]: 49 - 17.5 kHz

Max SPL (1 m): 137.5 dB

Horizontal dispersion: 80° (rotatable horn)

Vertical dispersion: 60° (rotatable horn)

Crossover freq.: 1000 Hz (24 db/oct)

Rotatable Horn.: yes

Amplifier

Amp Class: Class-D

Amplifier technology: Digipro G4

RMS Power: 1600 W

Operating voltage: 100-240V~ (50-60 Hz) FULL RANGE

Processor and user interface

Controller: 32 bit DSP – 96 kHz

AD/DA Conversion: 24 bit - 96 kHz

Limiter: Dual active Peak, thermal, RMS

Controls: Flat/Remote preset (Aurora Net)

Advanced DSP function: Linear Phase FIR filters, Manual test, Real time impedance test

Input / Output

Mains connections: POWERCON TRUE1 input/link

Signal Inputs: 1 x balanced XLR connector (Floating Audio input with digital optical isolation technology)

Signal Out/Link: 1 x balanced XLR connector

Mains: PowerCON TRUE1 IN/LINK

Mechanics

Housing: Wooden Box

Grille: Full metal grille

Width: 650 mm (25.95 in)

Height: 360 mm (14.17 in)

Depth: 490 mm (19.29 in)

Weight: 29 kg (63.9 lbs)



POWER SUPPLY SPECIFICATIONS (POWER ABSORPTION)

Draw at 1/8 of full power in average use conditions (*): 1.2 A (220-240V~) - 1.8 A (100-120V~)

Draw at 1/3 of full power in maximum use conditions ():** 3 A (220-240V~) - 4.9 A (100-120V~)

Power absorption with speaker turned on without signal (idle): 33 W

* INSTALLER NOTES: The values refer to 1/8 of full power, in average operating conditions (music program with infrequent or no clipping). It is recommended to consider them the minimum sizing values for any type of configuration.

** INSTALLER NOTES: The values refer to 1/3 of full power, in heavy operating conditions (music program with frequent clipping or activation of the limiter). We recommend sizing according to these values in case of professional installations and tours.

Download the complete user manual from the site:

www.dbtechnologies.com/EN/Downloads.aspx

EMI CLASSIFICATION

According to the standards EN 55032 and 55035 this is a Class A equipment, designed and suitable to operate for professional use. **Warning:** This equipment is compliant with Class A of CISPR 32. In a residential environment this equipment may cause radio interference.

FCC CLASS A STATEMENT

Any changes or modifications not expressly approved by the party responsible for compliance could void the user's authority to operate the equipment.

This equipment has been tested and found to comply with the limits for a Class A digital device, pursuant to part 15 of the FCC Rules. These limits are designed to provide reasonable protection against harmful interference when the equipment is operated in a commercial environment.

This equipment generates, uses, and can radiate radio frequency energy and, if not installed and used in accordance with the instruction manual,

may cause harmful interference to radio communications. Operation of this equipment in a residential area is likely to cause harmful interference

in which case the user will be required to correct the interference at his own expense.

WARNING: Make sure that the loudspeaker is securely installed in a stable position to avoid any injuries or damages to persons or properties. For safety reasons do not place one loudspeaker on top of another without proper fastening systems. Before hanging the loudspeaker check all the components for damages, deformations, missing or damaged parts that may compromise safety during installation. If you use the loudspeakers outdoor avoid spots exposed to bad weather conditions.

Contact dB Technologies for accessories to be used with speakers. dBTechnologies will not accept any responsibility for damages caused by inappropriate accessories or additional devices.

Features, specification and appearance of products are subject to change without notice.

dBTechnologies reserves the right to make changes or improvements in design or manufacturing without assuming any obligation to change or improve products previously manufactured

Features, specification and appearance of products are subject to change without notice. dBTechnologies reserves the right to make changes or improvements in design or manufacturing without assuming any obligation to change or improve products previously manufactured.