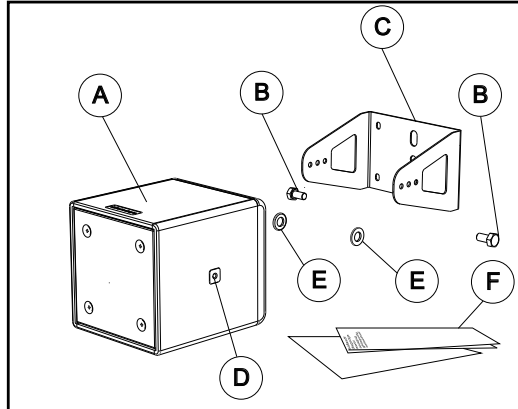
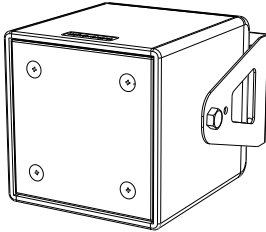
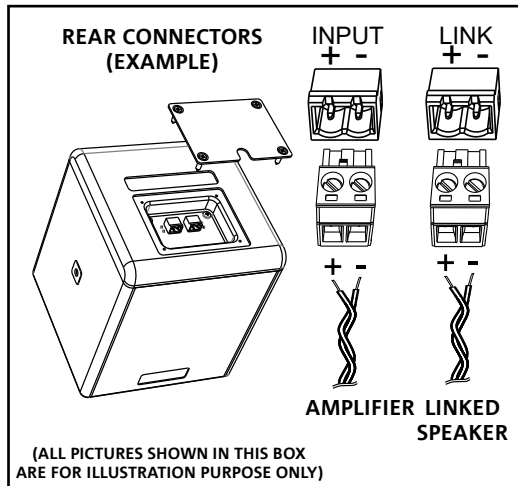


IS5T



PACKAGE CONTENT

- A IS5T Speaker
- B Bolts (2x)
- C Wall bracket
- D Threaded holes (2x)
- E Washers (2x)
- F Documentation



QUICK START USER MANUAL

Section 1

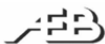
The warnings in this manual must be observed together with the "USER MANUAL - Section 2".

Le avvertenze nel presente manuale devono essere osservate congiuntamente al "MANUALE D'USO - Sezione 2".

Die Warnungen in diesem Handbuch müssen in Verbindung mit der "BEDIENUNGSANLEITUNG - Abschnitt 2" beachtet werden".

Les avertissements spécifiés dans ce manuel doivent être respectés ainsi que les "CARACTERISTIQUES TECHNIQUES -Section 2"

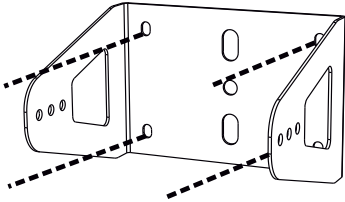
Las advertencias del presente manual se deben tener en cuenta conjuntamente con las del "MANUAL DEL USUARIO" - Sección 2".



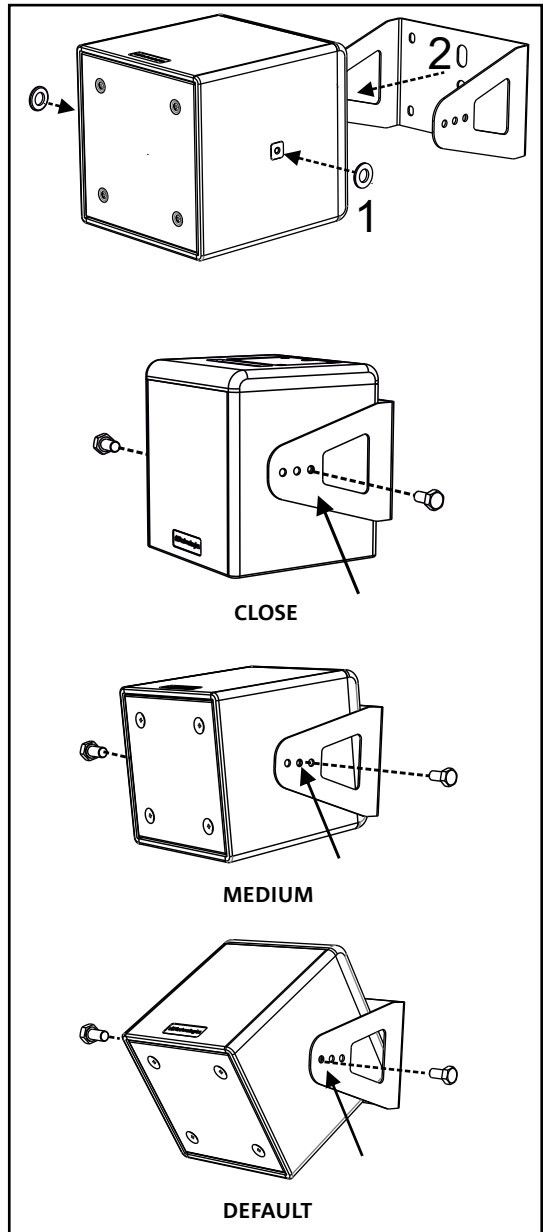
A.E.B. Industriale Srl Via Brodolini, 8 Località Crespellano 40053 VALSAMOGGIA BOLOGNA (ITALIA)
Tel +39 051 969870 Fax +39 051 969725 www.dbtechnologies.com info@dbtechnologies-aeb.com



WALL BRACKET



- Draw the position of the holes centers in the wall and drill them
- Fasten the wall bracket to the wall with proper anchors and screws (not supplied)
- Align the washers to the threaded holes
- Choose the “Default”, “Medium” or “Close” position, depending on the desired tilt of the speaker
- Screw the supplied bolts



MAIN FEATURES

Type:	Fullrange passive speaker, wooden box, water paint coating
Connector type:	Euroblock (Phoenix)
Main installation uses:	Wall mounted
Main accessories:	Wall bracket (supplied)
Rigging points:	2 x M6 Threaded Nut

ACOUSTIC SECTION

LF transducer (full-range):	5"
LF voice coil:	1"
Sensitivity:	92 dB
Frequency response (-6 dB):	95 Hz - 18 kHz (dBTechnologies preset)
Max SPL (calculated):	116 dB (peak power)
Dispersion:	110° x 110° (HxV)

POWER SECTION

Nominal Impedance:	8 Ω
Power Handling (RMS):	60 W
Power Handling (Peak):	240 W

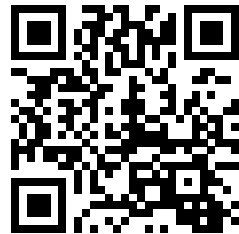
DIMENSIONS AND WEIGHT

Width:	160 mm 6.3 in
Height:	160 mm 6.3 in
Depth:	180 mm 7 in
Weight:	2.8 kg / 6.17 lbs

Check the updated version of this document on: www.dbtechnologies.com where you can find also all the suggestions about EQ for the best use of this speaker.



CAUTION: For installation and the usage of the accessories is mandatory to refer to the complete user manual, available on: www.dbtechnologies.com, any other usage is prohibited.



Scan with your QR Reader App to download the complete User Manual!

Features, specification and appearance of products are subject to change without notice. dBTechnologies reserves the right to make changes or improvements in design or manufacturing without assuming any obligation change or improve products previously manufactured.