



Spec Sheet

DVA S08 DP

Active Bass-Reflex Subwoofer
12" 800 Watt RMS digipro



Applications

- Music playback and sound reinforcement for small and mid-size venues
- Portable PA, clubs, ballrooms, live theatre
- House of worship, retail, restaurant/bars, corporate events
- Portable and installed audio-video systems in small size venues

Features

- Active 12" Bass-Reflex Subwoofer
- 800W RMS Power Class-D Digipro™ amp
- Digital + Analogue Stereo Processor
- 90 Hz or 120 Hz crossover frequency , 24 dB/Octave Xover out slope
- Phase switch (0° or 180°)
- Multiplex birch plywood housing, 1x handle on top and 2x M-20 pole mount plates

Description

DVA S08 DP is a remarkably compact 12" high power active bass-reflex subwoofer for professional applications and to satisfy upmarket requirements.

It delivers a high thump and at the same time reproduces a punchy low end.

Equipped with a 800W/RMS Digipro® class-D digital power amp, this unit provides a high sound pressure level of up to 131dB in a compact size and low weight.

The power supply circuit of this amplifier

module is designed to work according to power supply voltage fluctuations and to SMPS (Switched-Mode Power Supply) technology. Furthermore, there is a pair of Powercon™ in and out sockets for mains connection and relaunch to help wiring in case of multiple systems.

Thanks to its high efficiency, the cooling of the amp module is obtained statically – through an aluminium panel placed on the back of the speaker, thus avoiding the use of a fan.

The thermal protection is ensured by an internal circuit that controls the temperature of the amplifier and protects it against any risk of overheating, thus limiting the general volume.

The DVA S08 DP is designed to work in stereo and in mono mode. The signal outputs (OUT 1 & 2) can be linked to the inputs or routed to X-OVER outputs. It is also possible to set the crossover frequency to 90Hz or 120Hz and switch the phase to 0° or 180°.

The housing is made of durable birch multiplex in robust black textured lacquer. It is suitable for small to medium size rooms and is conceived for supported use. It is then provided with one handle on top and two M20 pole-mount plates on top and on one side, which facilitate the transport and the setup with mid/high-end speakers, resulting in portable PA systems versatile but extremely powerful and able to amaze even the most demanding professionals.

DVA S08 DP

Technical Specifications

System Specifications

Speaker Type	Active Bass-reflex Subwoofer
--------------	------------------------------

Acoustical Data

Frequency Response	[+/- 3dB]	40 - 150 Hz
Max SPL		131 dB
Directivity		Omnidirectional
LF		12"
Voice Coil LF		3"

Amplifier

Amp Technology	Digipro®
Amp Class	Class D
LF Amp	800 W RMS
Cooling	Convection
Mains Connections	Mains Input (Powercon™ blue), Mains Link (Powercon™ Grey)

Processor

Controller	Digital + Analogue (Stereo)
Phase	0°, 180°
Limiter	RMS, Peak, Thermal
Delay Option	NO
Crossover Frequency LF-MF	90, 120 Hz
LF-Xover out slope	24 dB/Octave

Control Panel

Inputs	2x XLR fem. balanced (Input 1/Mono, Input 2)
Outputs	2x XLR male balanced (Out 1, Out 2)
Controls	Link/Xover switch Xover frequency switch (90 Hz, 120 Hz) Phase switch (0°, 180°) Subwoofer level rotary knob
Indicators	4x LEDs (ON, MUTE, SGN, LIM)

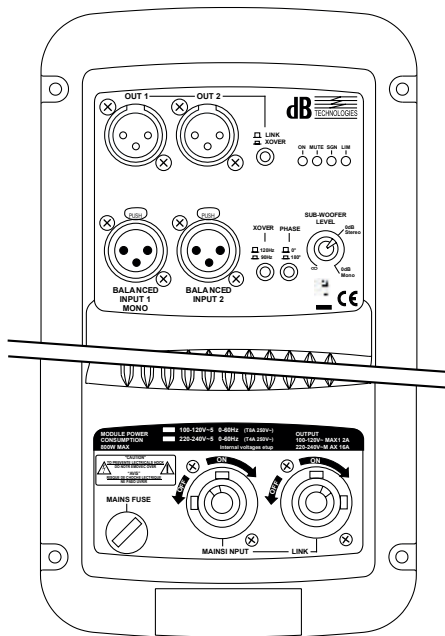
Mechanics

Housing	Multiplex birch plywood
Housing Design	Rectangular
Handles	1x on top
Pole Mount	2x M20
Width	360 mm – 14.17 in
Height	520 mm – 20.47 in
Depth	500 mm – 19.68 in
Weight	23 kg - 50.71 lbs.

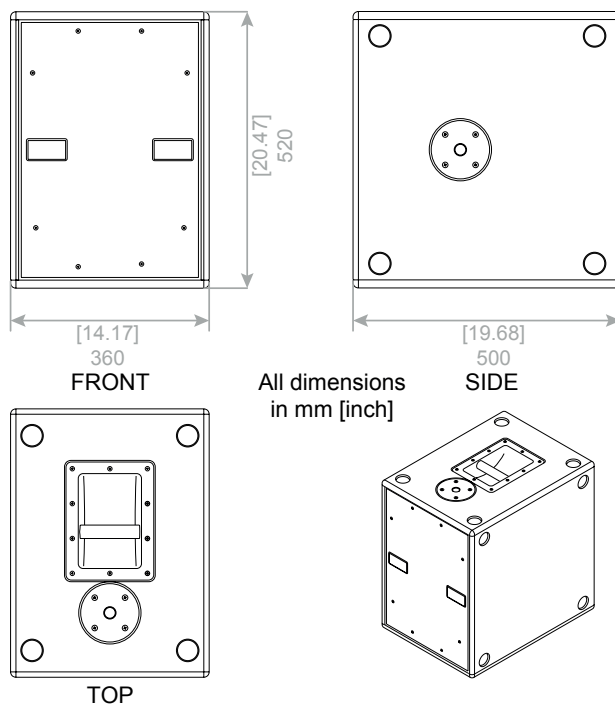
DVA S08 DP

Technical Specifications

Rear Panel



Overall Dimensions



Accessories

DS 2	Pole Mount 35mm, adjustable, M20 thread
DS2-5	Pole Mount M20 thread, 20cm length
TC 085	Tour Cover for DVA S08 DP

info@dbtechnologies.com www.dbtechnologies.com

dBTechnologies products are continually improved. All specifications are therefore subject to change without notice.