



# Spec Sheet

## DVA S2585 N

Active Cardioid Subwoofer  
18" + 15", 2500W RMS **digipro G2**



### Applications

- Live sound for rental application
- Music playback and sound reinforcement for mid-size and large venues
- Ballrooms, live theatre, house of worship

### Features

- Active Cardioid Subwoofer
- 2500W Class-D Digipro® G2 amplifier with switch mode power supply and PFC
- Cardioid, Hypercardioid and Supercardioid patterns available
- Network-ready with Integrated RDNet port
- 56bit DSP - 24 bit \ 96 KHz A/D conversion
- Crossover freq. 75 Hz - 120 Hz (steps of 5 Hz)
- Internal delay 0 - 4.5 ms (steps of 0.5 ms)
- Rigging points for fly kit and rigging frames

### Description

DVA S2585N is a compact subsystem featuring a cardioid layout specifically designed for enhanced low-frequency directivity in medium-to-large venues. The placement of this subwoofer in front of the stage or on its sides prevents low frequencies radiation from the rear of the speaker, thus avoiding microphone feedbacks, mechanical noises of the load bearing structures and sound distortions due to low frequencies loading below the stage.

The system consists of two separate chambers, one loaded with a forward facing 18" woofer and another with a rearward facing 15" woofer.

Factory-equipped with an RDNet port, this subwoofer is ready for integration into elaborate, remotely controlled and monitored

DVA sound reinforcement systems. The housing is ready to be flown with the optional SRK10 Rigging Kit is all it takes to put up flown cardioid sub arrays. And it not only sounds great, but it is also easy to handle and transport.

The DVA S2585 N is equipped with a next-generation 18" and 15" woofers with 4" voice coils. These new transducers feature a fiberglass-reinforced diaphragm, an exceedingly robust triple-roll surround, and a geometrically optimized cone. All this culminates in very high peak-to-peak excursion capabilities.

The integrated Digipro® G2 digital power amps provide 2500W RMS (1500W+1000W) total output power. The Switched-Mode Power Supply of the amplifiers DIGIPRO® G2 are designed to work in full-range mode and feature PFC (Power Factor Correction), technologies that assure the operation with supply voltages from 100V~ to 240V~ and the same acoustic performance even with fluctuating, non-stabilized supply lines.

The digital pre-amplifier with DSP (Digital Signal Processing) manages acoustic components, delays, frequency response and limiters. It provides up to three operating modes, (cardioid, super-cardioid and hyper-cardioid), selectable through the RDNET interface.

The housing is made of multiplex birch plywood, is covered by a robust black textured lacquer and has a rectangular shape. At the top there is a M20 pole mount adapter and on each side there are 3 metal handles. A dedicated dolly is provided to ease transport, and the two quick-release pins allow it to be easily removed to avoid wheels from rattling.

The speaker can also be hung to the DRK-10, DRK-20 or DRK-20M fly-bars through the optional SRK-10 bracket kit.

# DVA S2585 N

## Technical Specifications

### System Specifications

Speaker Type		Active Cardopid Subwoofer
Max SPL		140 dB
Frequency Response	(+/-3 dB)	35 Hz - 120 Hz
Directivity		Cardioid
Drivers		1 x 18" woofer (4" voice coil) + 1 x 15" woofer (4" voice coil)
Inputs		1 x XLR (Audio Input) 1 x RJ45 (RDNet input) 1 x USB type "B" port (service data)
Input Sensitivity	Nominal	0 dBu
Controls		1 x Input Sensitivity rotary 1 x Xover Frequency rotary switch (10 presets) 1 x Delay time rotary switch (0 - 4.5 ms with steps of 0.5 ms) 1 x Phase switch (0° - 180°)
Outputs		1x XLR (Audio Link Out) 1x XLR (Xover Out) 1x RJ45 (RDNet link Out)

### Amplifier

Amplifier technology		Digipro G2®
Amp Class		Class-D
RMS Power		2500 W (1500W+1000W)
Power supply		2500 W SMPS full-range with active PFC
Cooling		Convection, fan-free
Power Connections		Powercon® input (blue) Powercon® Link (grey)

### Processor

Audio Processing	DSP A/D conv.	56bit 24 bit/96 kHz
System Presets		X-Over, Delay
Phase		0°, 180°
Limiter		RMS, Peak, Thermal
Delay option		0 - 4.5 ms, internal
X-over frequencies	LF-HF	75-120 Hz (steps of 5 Hz)
LF-Xover out slope		24 dB/Octave
Remote control		RDNet control (read/write data in real time)

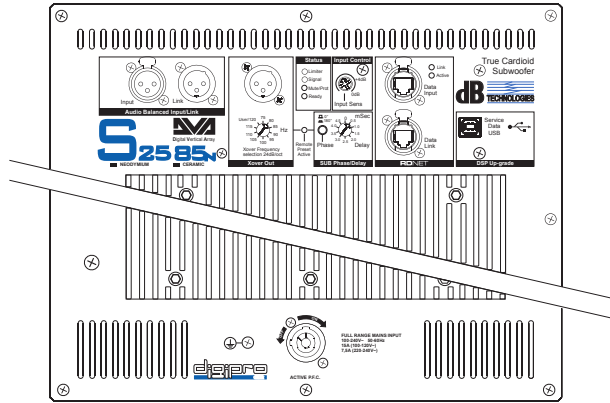
### Mechanics

Enclosure	Box Housing Design	Multiplex birch plywood Rectangular
Handles		3 x per side
Rigging Points		2 x Pick Points on top to fix DRK10/20/20M rigging frames
Pole Mount		M20
Accessories		Dolly, Wheels 100 mm, Dust Cover, Rain Cover
Dimensions (W x H x D)		515 x 640 x 1000 mm 20.27 x 25.20 x 39.37 in
Weight		65 kg - 143.30 lbs.

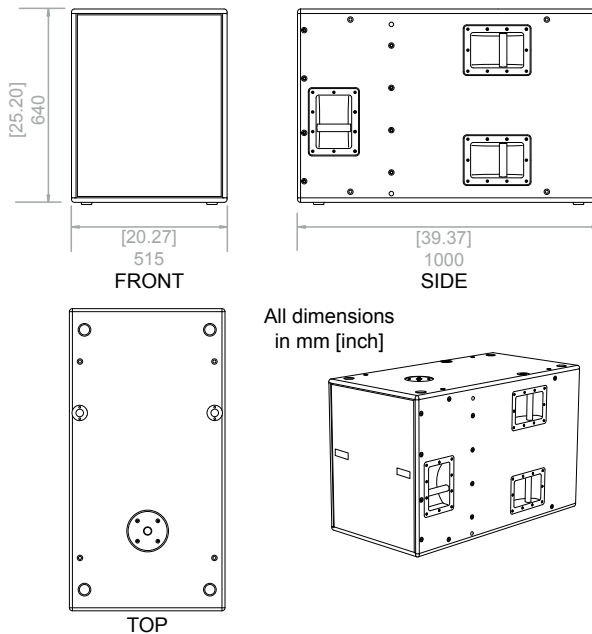
# DVA S2585 N

## Technical Specifications

### Back Panel



### Overall Dimensions



### Accessories

AFL 05	Powercon-Powercon link cable. 1,5m length
DO 18	Dolly for S1518, S2585 (including wheels)
DRK-10	Fly bar for DVA systems. Designed to hang up to a maximum weight of 250 Kg
DRK-20	Fly bar for DVA systems. Designed to hang up to a maximum weight of 1800 kg
DRK-20M	Motoryzed fly bar for DVA systems with RDNet control. Maximum weight of 1000 kg
DRP S15	Gore-Tex rain cover
DS 2	Pole Mount 35mm, adjustable, M20 thread
DS2-5	PoleMount M20 thread, 20cm length
DWK 20	Kit of 4-wheel
RJ45-RJ45-150	RJ45-RJ45 link cable (150cm) for RDNet-equipped speakers
RJ45-RJ45-75	RJ45-RJ45 link cable (75cm) for RDNet-equipped speakers
SRK-10	Optional hardware kit to hang up DVA S10 DP to DRK-10 or DRK-20 flybars

[info@dbtechnologies.com](mailto:info@dbtechnologies.com) [www.dbtechnologies.com](http://www.dbtechnologies.com)

dBTechnologies products are continually improved. All specifications are therefore subject to change without notice.