

SUB *Series*

Sub 28D
Sub 12D
Sub 05D
Sub 808D
Sub 15D
Sub 18D

Active Subwoofers



dBTechnologies

Active Class-D Subwoofers

dBTechnologies is well known for its remarkable active subwoofers with outstanding performance, combining powerful and precise subsonic reproduction with excellent tonal quality.

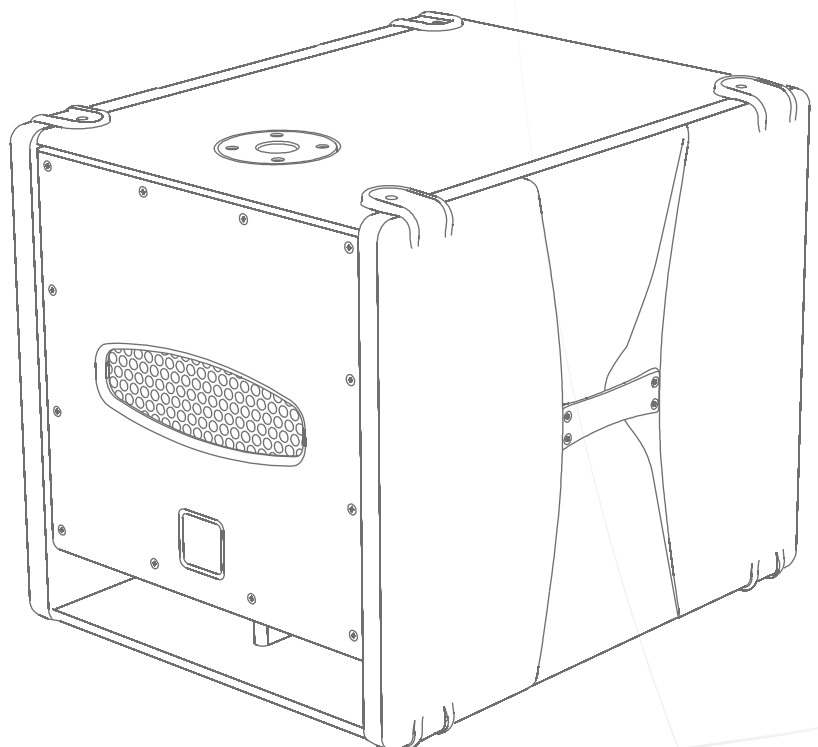
The dBTechnologies' bandpass design guarantees a well balanced reproduction of sound but adding a few dB SPL extra, compared to regular bass-reflex designs. The result is maximum performance, out of a very compact and lightweight enclosure.

All powered subwoofers are equipped with an active crossover, which can operate in Mono or Stereo mode, providing all combinations for applications with one or more subwoofers.

With digital power amps lightening the load, toting and setting up these bins is an exercise in convenience. This handling ease is an asset users are sure to value, particularly those frequently tasked to set up and tear down systems for live applications.

Developed by dBTechnologies, H.E.T™ housings are made of premium-quality multiply wood with a hardwearing, durable, and scratch-resistant coating. Tough, robust plastic side panels provide excellent protection for the housing as well as integrated grips and electrical connectors for utmost handling convenience and safety.

- **H.E.T™ (Hybrid Enclosure Technology)**
- **Digipack™ digital amplifiers**
- **Double Sub Preset EQ**
- **Stereo I/O for easy setup**





Active 2x8" Subwoofer

We engineered the SUB 28 D to provide low-end reinforcement for compact satellites such as dBTechnologies L and K Series speakers.



This light and lean enclosure houses two 8" woofers driven by a 800W digital power amp and an onboard digital stereo x-over. Setting up mono and stereo satellite systems is a piece of cake with this amp and DSP on board.



SUB 28D

Technical Data

Speaker Type: Active Bandpass Subwoofer

Acoustical data

Frequency Response [-10dB]: 45 - 150 Hz

Max SPL: 125 dB

Directivity: omnidirectional

LF: 2x8"

Amplifier

Amp Technology: Digipack™

Amp Class: Class D

Peak Power: 800 W

Processor

Controller: DSP 24 bit/ 48 kHz

Phase: 0, 180 °

Limiter: Dual Active Limiter

Crossover Frequency: 100 Hz, 24dB/Octave

System Presets: Flat, Boost

Inputs

Signal Input: 2x XLR

Signal Output: 2x XLR X-Over Out/ Link Out)

Mechanics

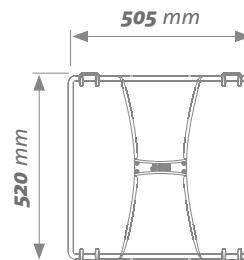
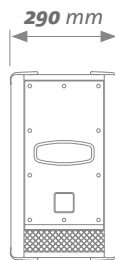
Housing: Multiplex with H.E.T coating, reinforced

Width: 290 mm (11.6 in)

Height: 520 mm (20.8 in)

Depth: 505 mm (20.2 in)

Weight: 19,5 kg (42.99 lbs)



SUB 12D

Technical Data

Speaker Type: Active Bandpass Subwoofer

Acoustical data

Frequency Response [-10dB]: 40 - 150 Hz

Max SPL: 127 dB

Directivity: omnidirectional

LF: 12"

Amplifier

Amp Technology: Digipack™

Amp Class: Class D

Peak Power: 800 W

Processor

Controller: DSP 24 bit/ 48 kHz

Phase: 0, 180 °

Limiter: Dual Active Limiter

Crossover Frequency: 100 Hz, 24dB/Octave

System Presets: Flat, Boost

Inputs

Signal Input: 2x XLR

Signal Output: 2x XLR X-Over Out/ Link Out

Mechanics

Housing: Multiplex with H.E.T coating, reinforced

Width: 390 mm (15.6 in)

Height: 520 mm (20.4 in)

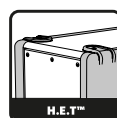
Depth: 505 mm (19.9 in)

Weight: 24 kg (52.91 lbs)

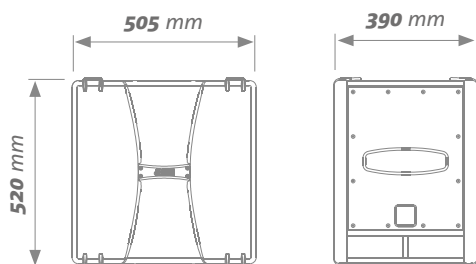


Active 12" Subwoofer

Equipped with a 800W digital power amp, the SUB 12 D is the perfect complement to 8" or 10" speaker systems for users looking to set up small but assertive satellite systems that deliver exceptional performance.



Featuring compact dimensions and the innovative H.E.T™ housing, this unit is easy to transport and set up. Connecting satellites is an exercise in convenience thanks to an integrated digital crossover (DSP) with adjustable frequency.





Active 15" Subwoofer

The 800W SUB 05D is an excellent choice for extending 10" and 12" loudspeakers' range. It packs the kind powerful low-end punch necessary for contemporary sounds and pumps out plenty of SPL for live applications.



The unit connects easily and quickly courtesy of a built-in digital stereo crossover (DSP) with boost selector and phase inversion switch.

Housed in the newly developed H.E.T.™ enclosure featuring integrated control features, this rugged cabinet tough enough to stand up to the rigors of transport.

SUB 05D

Technical Data

Speaker Type: Active Bandpass Subwoofer

Acoustical data

Frequency Response [-10dB]: 30 - 150 Hz

Max SPL: 129 dB

Directivity: omnidirectional

LF: 15 "

Amplifier

Amp Technology: Digipack™

Amp Class: Class D

Peak Power: 800 W

Processor

Controller: DSP 24 bit/ 48 kHz

Phase: 0, 180 °

Limiter: Dual Active Limiter

Crossover Frequency: 100 Hz, 24dB/Octave

System Presets: Flat, Boost

Inputs

Signal Input: 2x XLR

Signal Output: 2x XLR X-Over Out/ Link Out

Mechanics

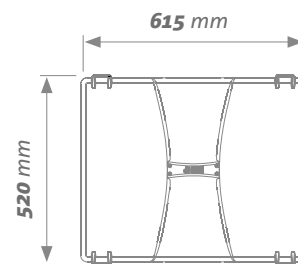
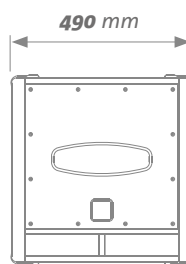
Housing: Multiplex with H.E.T coating, reinforced

Width: 490 mm (19.6 in)

Height: 520 mm (20.5 in)

Depth: 615 mm (24 in)

Weight: 29,5 kg (65.04 lbs)



SUB 808D

Technical Data

Speaker Type: Active Bandpass Subwoofer

Acoustical data

Frequency Response [-10dB]: 30 - 150 Hz

Max SPL: 130 dB

Directivity: omnidirectional

LF: 18"

Amplifier

Amp Technology: Digipack™

Amp Class: Class D

Peak Power: 1000 W

Processor

Controller: DSP 24 bit/ 48 kHz

Phase: 0, 180 °

Limiter: Dual Active Limiter

Crossover Frequency: 100 Hz, 24dB/Octave

System Presets: Flat, Boost

Inputs

Signal Input: 2x XLR

Signal Output: 2x XLR Link Out/X-Over Out

Mechanics

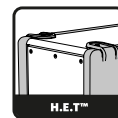
Housing: Multiplex with H.E.T coating, reinforced

Width: 640 mm (25.6 in)

Height: 520 mm (20.8 in)

Depth: 615 mm (24.6 in)

Weight: 34,8 kg (74.96 lbs)



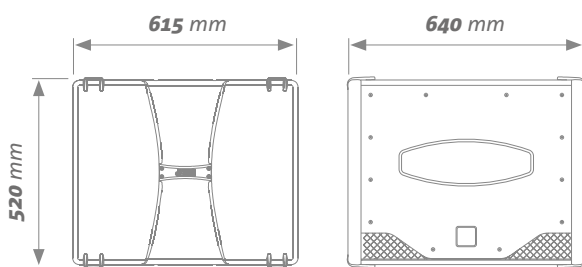
Active 18" Subwoofer

Sporting an 18" woofer loaded to a bandpass housing and an onboard 1000W digital power amp, the SUB 808D delivers a low-ranging bass foundation to provide precisely the low-end support 12" and 15" speaker systems need.



Such rigs are easily set up, connected and configured thanks to the built-in digital stereo x-over (DSP) with phase reverse switch, and integrated control features.

The H.E.T™ enclosure is a tough, road-worthy housing that keeps the components inside well protected.

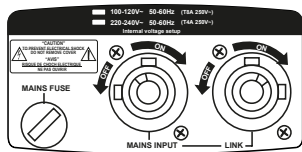
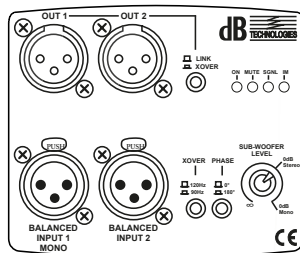




Active 15" Subwoofer

Loaded with 15" woofer and featuring band-pass cabinet, the SUB 15D is a remarkably agile and responsive speaker system.

Driven by an onboard digipro® digital power amp, this bin packs a powerful low-end punch perfect for rendering kick drums with high SPL.



SUB 15D

Technical Data

Speaker Type: Active Bandpass Subwoofer

Acoustical data

Frequency Response [-10dB]: 35 - 150 Hz

Max SPL: 133 dB

Directivity: omnidirectional

LF: 15"

Voice Coil LF: 3"

Amplifier

Amp Technology: Digipro®

Amp Class: Class D

Power PRG: 1000 W

Peak Power: 2000 W

Processor

Controller: Digital

Phase: 0, 180°

Limiter: RMS, Peak, thermal

Crossover Frequency MF-HF: 90, 120 Hz

LF-Xover out slope: 24 dB/Octave

Inputs

Signal Input: 2x XLR

Signal Output: 2x XLR X-Over Out/ Link Out

Mechanics

Housing: Multiplex, birch plywood

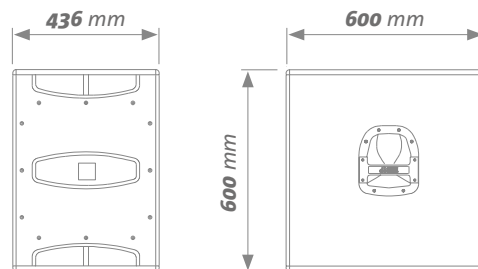
Pole Mount: M20

Width: 436 mm (17.44 in)

Height: 600 mm (24 in)

Depth: 600 mm (24 in)

Weight: 32 kg (70.55 lbs)



SUB 18D

Technical Data

Speaker Type: Active Bandpass Subwoofer

Acoustical data

Frequency Response [-10dB]: 28 - 150 Hz
 Max SPL: 134 dB
 Directivity: omnidirectional
 LF: 18 “
 Voice Coil LF: 4 “

Amplifier

Amp Technology: Digipro®
 Amp Class: Class D
 Power PRG: 1400 W
 Peak Power: 2800 W

Processor

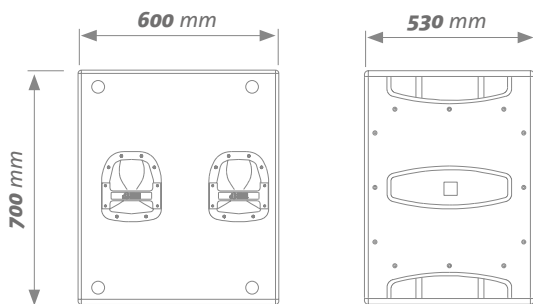
Controller: Digital
 Phase: 0, 180 °
 Limiter: Dual Active Limiter
 Crossover Frequency MF-HF: 90, 120 Hz
 LF-Xover out slope: 24 dB/Octave

Inputs

Signal Input: 2x XLR
 Signal Output: 2x XLR X-Over Out/ Link Out

Mechanics

Housing: Multiplex, birch plywood
 Pole Mount: 2x M20
 Width: 530 mm (21.2 in)
 Height: 700 mm (28 in)
 Depth: 600 mm (24 in)
 Weight: 44 kg (97 lbs)



Active 18” Subwoofer

The SUB 18D is the first-choice bass bin for users seeking powerful punch and ultra low-end response. Fine-tuned to augment and amplify the highpower 18” woofer’s audio performance, this custom engineered bandpass enclosure outperforms conventional bass-reflex designs, achieving higher peak levels.

