



Spec Sheet

SUB 12D

Active Band-pass Subwoofer
12", 800W Peak Power **digIPACK**



Applications

- Music playback and sound reinforcement for small and mid-size venues
- Portable PA, clubs, ballrooms, live theatre
- Houses of worship, retail, restaurants/bars, corporate events
- Portable and installed audio-visual systems in small size venues

Features

- Active 12" Bandpass Subwoofer
- 800W Peak Power Class-D Digipack™ amp
- 24bit/48kHz DSP
- Crossover freq. 100 Hz, 24 dB/Octave
- Flat and Boost system presets
- Innovative H.E.T.™ housing with black PVC cover
- Standard Ø36mm pole mount plate

Description

SUB 12D is the perfect complement to 8" or 10" speaker systems for users looking to set up small but assertive satellite systems that deliver exceptional performance.

Its band-pass design, the 800W digital power amp and the innovative H.E.T.™ housing assure high sound pressure even in such a compact dimensions cabinet, making this subwoofer suitable for small to medium size rooms and extremely easy to transport and set up.

The digital preamplifier with DSP (Digital Signal Processing) controls the audio crossover of the acoustic components, the frequency response, the limiter, and the phase alignment.

This subwoofer is designed to work in both stereo and mono mode. It is also possible to change the frequency response (Flat or Boost) and switch the phase (0° or 180°). The output signals can be linked or controlled by the crossover.

The SUB 12D uses DIGIPACK™ module, a multichannel digital power amplifier of last generation.

This highly efficient amplifier was specifically developed for use in very compact and active systems, based on the innovative technology designed for our Digipro® power amps and used in our high-end DVA and DVX series products, which set new standards of performance in such a compact package.

The Digipack™ power amp modules are rated more than 90% efficient, as only digital amplification can be. That means that they have no need for built-in fans and are extremely reliable and stable while operating.

The housing is designed with Hybrid Enclosure Technology (H.E.T.™), developed by dBTechnologies labs. The box in fact is made of premium-quality multiply wood with a hardwearing, durable, and scratch-resistant coating.

Tough, robust plastic side panels provide excellent protection for the housing as well as integrated grips for utmost handling.

The Ø36mm pole mount plate mount on the top end of the box permits a full-range speaker to be installed using a standard Ø36mm pole.

SUB 12D

Technical Specifications

System Specifications

Speaker Type	Active Bandpass Subwoofer
--------------	---------------------------

Acoustical Data

Frequency Response	[+/- 3dB]	40 - 150 Hz
--------------------	-----------	-------------

Max SPL	127 dB
---------	--------

Directivity	Omnidirectional
-------------	-----------------

LF Voice Coil	12"	2.5"
---------------	-----	------

Amplifier

Amp Technology	Digipack™
----------------	-----------

Amp Class	Class D
-----------	---------

PRG Power	400W
-----------	------

Peak Power	800 W
------------	-------

Processor

Controller	DSP 24 bit/48 kHz
------------	-------------------

Phase	0°, 180°
-------	----------

Limiter	Dual Active Limiter
---------	---------------------

Crossover Frequency	100 Hz, 24dB/Octave
---------------------	---------------------

System Presets	Flat, Boost
----------------	-------------

Inputs

Signal Input	2 x XLR fem. Balanced (Input 1, Input 2)
--------------	--

Outputs

Signal Output	2 x XLR male Balanced (Out 1, Out 2)
---------------	--------------------------------------

Controls

Knobs	Subwoofer Level
-------	-----------------

Switches	X-Over / Link Out Shape Flat / Boost Phase 0, 180°
----------	--

Indicators	On / Signal LED Limiter LED
------------	--------------------------------

Mains Connections	IEC, VDE with Fuse
-------------------	--------------------

Mechanics

Housing	Multiplex with H.E.T coating, reinforced
---------	--

Handles	2 (1x per side)
---------	-----------------

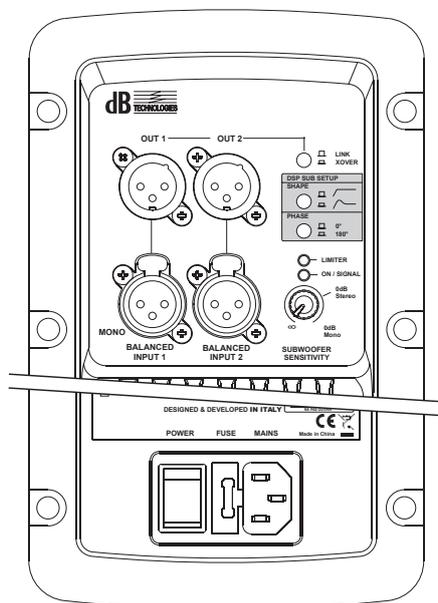
Dimensions (WxHxD)	390 x 520 x 505 mm 15.35 x 20.47 x 19.88 in
--------------------	--

Weight	24 kg 52.91 lbs.
--------	---------------------

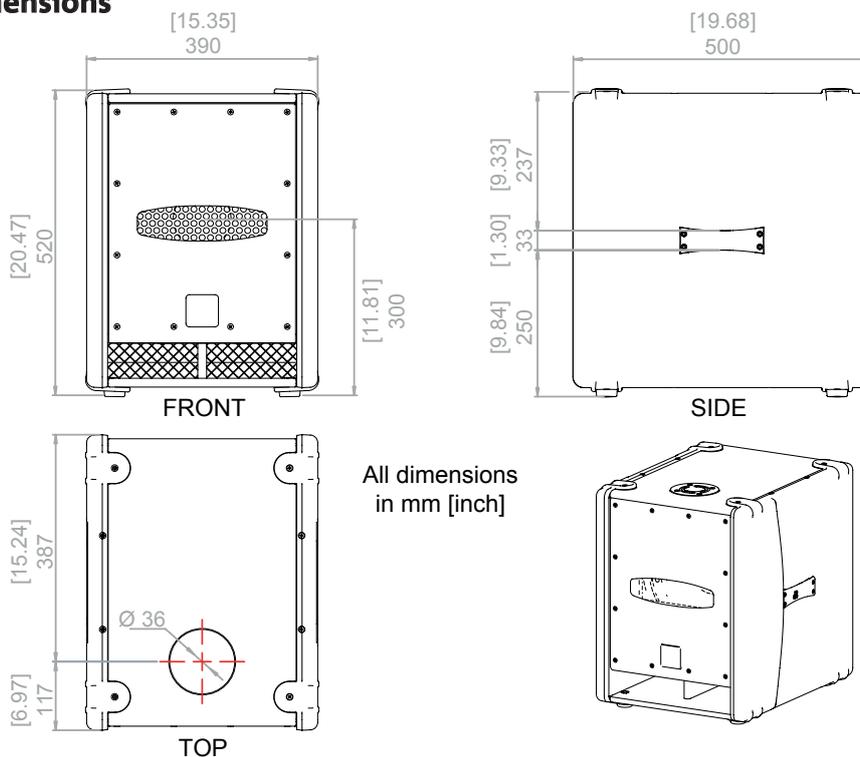
SUB 12D

Technical Specifications

Rear Panel



Overall Dimensions



Accessories

AFL 01	Speaker pole for SUB D, Ø 35mm. Adjustable height
DS 1	Speaker pole, Ø 35mm, for Sub 05D - 12D- 28D - 808D. Adjustable height.
TC S12D	Tour Cover for SUB 12D

info@dbtechnologies.com www.dbtechnologies.com

dBTechnologies products are continually improved. All specifications are therefore subject to change without notice.