



Spec Sheet

DVX DM12

2-Way Active Stage Monitor
12" + 1.4" 750W RMS **DIGIPRO**



Applications

- Main vocal stage monitor
- Keyboard or other instruments stage monitor
- Full-range speaker for small to medium-scale applications

Features

- 2-Way Active Stage Monitor
- 40° x 90° directivity
- 12" Neodymium woofers, 3" voice coil
- 1.4" Neodymium driver, 2.5" voice coil, with rotatable horn
- 750W RMS Class-D Digipro® amplifier
- 24 bit \ 48 kHz DSP
- Multiband, RMS/Peak, Thermal Limiter
- Flat / Monitor EQ presets

Description

DVX DM12 is an active two-way stage monitor featuring one neodymium 12" woofer (3" voice coil) and a neodymium 1.4" compression driver (2.5" voice coil), installed on a 90°x 40° rotatable CD-horn.

Its natural response, dynamic balance, and high SPL in a compact and inconspicuous package is absolutely amazing. The ultra-low profile enclosure and quality of the woofer make this stage monitor able to render signals with impressive precision.

Unlike conventional multifunctional speakers, the DVX DM12 is a pro-grade performer developed specifically for use as a floor monitor. Optimized to resist feedback even at extremely high levels, it delivers the true-

to-nature response and dynamic balance that artists demand.

It is equipped with DIGIPRO® series class D amplifier, giving 500W RMS for the bass section and 250W RMS for the high frequency section. This high-efficiency amplifier delivers high output power in a compact size and low weight.

Thanks to its high efficiency the cooling of the amplifier module is obtained statically, thus avoiding the use of an external fan.

The power supply has been conceived to work in full-range mode, and thanks to the SMPS (Switched-Mode Power Supply) technology with PFC (Power Factor Correction), the operation with supply voltages between 100 Vac and 240Vac is guaranteed by ensuring the same sound performances even with floating and non-stabilized power supply systems.

The integrated 24bit/48kHz DSP acts as the enclosure controller, serving as an active equalizer, active Xover with phase and delay time alignment, peak, thermal and multiband limiter.

You can easily choose between two EQ presets (flat and monitor) by pressing the MODE button on the side panel, adapting the DVX DM12 to full-range or stage monitor use.

Made of rugged 15mm multiplex birch plywood coated with tough black lacquer, its light low-profile enclosure sets up at two different angles. The two recessed handles on each side of the speaker enable easy transport and installation. It is also equipped with a pole mount, enabling the DVX DM12 to be set on a tripod or speaker pole.

DVX DM12

Technical Specifications

System Specifications

Speaker Type	2-Way Active Stage Monitor
--------------	----------------------------

Acoustical Data

Frequency Response	[-10dB] [-3dB]	55 - 20.000 Hz 68 - 19.000 Hz
Max SPL		131 dB
HF Type HF Voice Coil HF		1.4" Neodymium Compression Driver Titanium 2.5"
Directivity		90° x 40°
Horn Rotatable Horn		CD Horn Aluminium YES
LF Type LF Voice Coil LF		12" Neodymium 3"

Amplifier

Amp Technology	Digipro®
Amp Class	Class D
Peak Power	1500 W
Power Supply	Full-range with PFC
Cooling	Convection

Processor

Controller	DSP 24 Bit/48 kHz
System Presets	Flat, Monitor
Limiter	RMS, Peak, Thermal, Multiband
Crossover Frequency MF-HF	1400 Hz
Slope MF-HF	24 dB/Octave

Connections / Controls

Input	XLR balanced
Out	XLR balanced (Link out)
EQ Preset	2-way switch (Monitor - Full-range)
Sensitivity	Rotative knob
Indicators	4x LEDs (ON, MUTE, SIGNAL, LIMITER)
Mains	Powercon® (Mains Input- Blue) Powercon® (Mains Link - White) Mains Fuse 220-240V~ (T5A 250V) / 100-120V~ (T10A 250V)

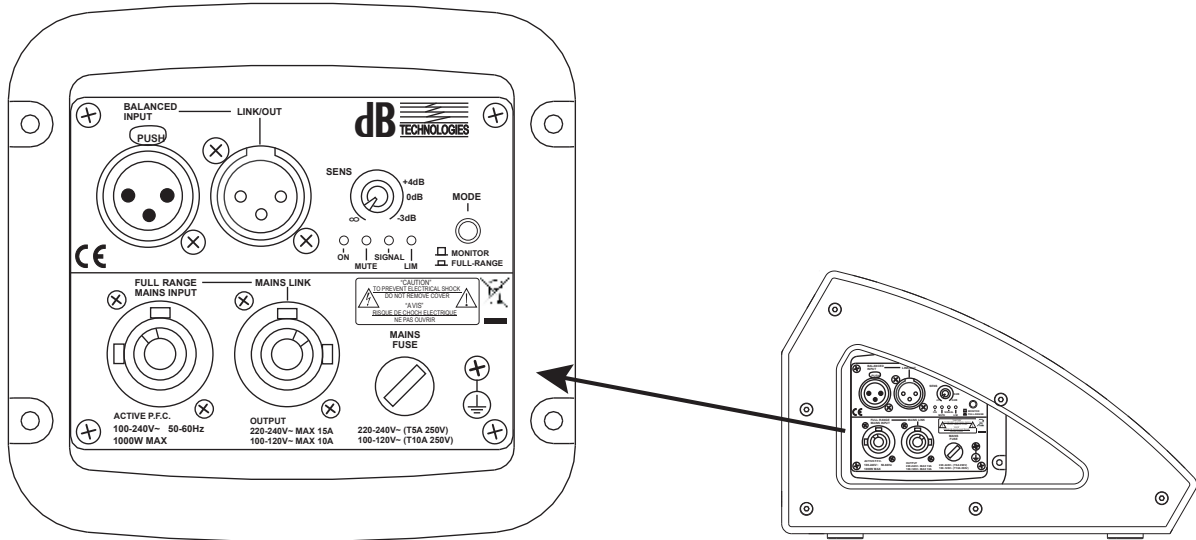
Mechanics

Housing	Multiplex birch plywood
Housing Design	Low Profile Multifunctional
Angles Up	30°, 60°
Handles	2x recessed handles (one on each side)
Width	660 mm (25.98 in)
Height	305 mm (12.01 in)
Depth	378 mm (13.88 in)
Weight	17.5 kg (38.58 lbs.)

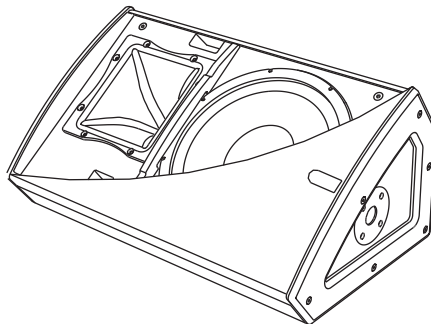
DVX DM12

Technical Specifications

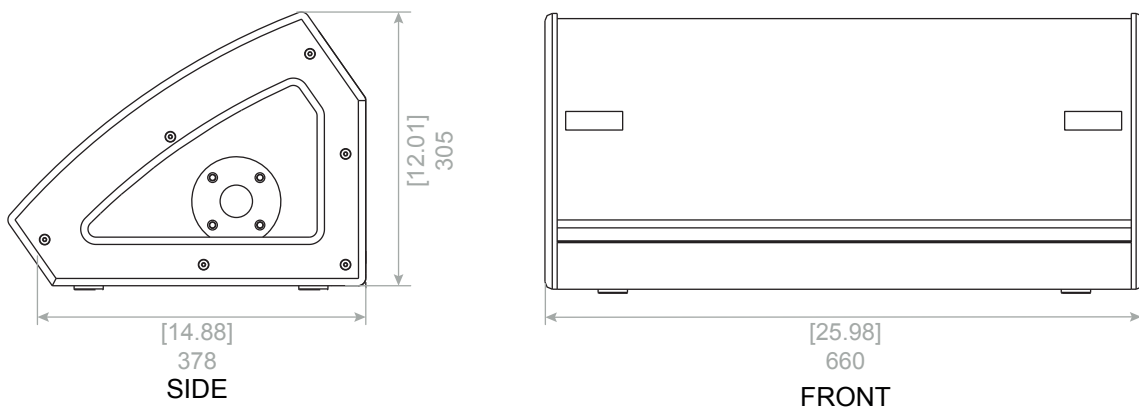
Side Panel



Overall Dimensions



All dimensions in mm [inch]



Accessories

TC 12M	Tour Cover for DVX DM12
TE M10	Eye-bolt set (4 pcs) with M10-thread

info@dbtechnologies.com www.dbtechnologies.com

dBTechnologies products are continually improved. All specifications are therefore subject to change without notice.