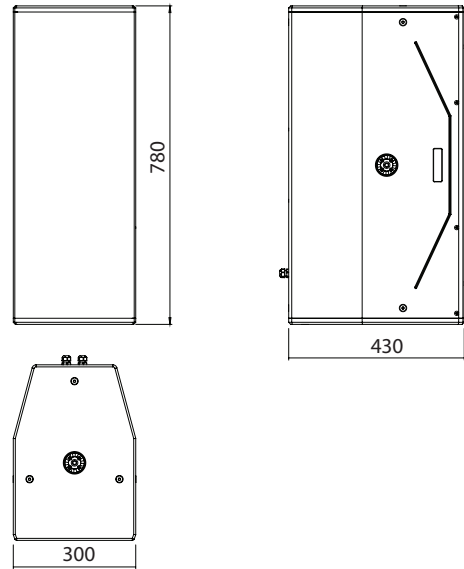


IS210T

2-way Passive Fullrange Speaker



MAIN FEATURES

- High professional acoustic performance
- Premium components
- Touring inspiration
- Maximum configurability in stacking or hanging
- IP55 certification
- Maximum resistance to weather agents
- Available in black or white

DESCRIPTION

From the dBTechnologies experience in the world of sound reinforcement, the first high-performance point source for high-profile installations is born.

Combining excellent acoustic performance with the versatility guaranteed by dedicated accessories for flyable or pole configurations, IS210T is a solution designed for sound reinforcement in medium and large environments such as arenas, performing arts center, houses of worship, multifunctional venues, and clubs.

The symmetrical configuration with two 10" woofers makes the top performing both in indoor and outdoor acoustic contexts; the IP55 certification ensures high resistance to different weather conditions and increase the system durability. IS210T is available in white and black, with the possibility of customizing the color finish of the white version by yourself.

ACCESSORIES



HB-3X10

Horizontal bracket for VIO X310 and IS210T



VB-3X10

Vertical bracket for VIO X310 and IS210T

Speaker Type	2-way Passive Fullrange Speaker
RMS Power	400W (LF: 300W HF: 100W)
Peak Power	800W (LF: 600W HF: 200W)
Usable bandwidth [-10 dB]	56 Hz - 20,000 Hz
Frequency Response [-6 dB]	60 Hz - 17,800 Hz
Impedance	8 Ohm
Sensitivity 1W@m	100 dB
Max SPL	133 dB
HF	1x 1.4" (exit), 2.4" v.c.
LF	2x 10", 2.5" v.c.
Dispersion	90x40° [rotatable horn]
X-Over Frequency	840 Hz (internal X-Over)
Connections	Screw terminal block (LF+ LF- HF+ HF-)
Housing	Plywood, water-painted coating
Rigging points	flyable with bracket
IP rating	IP 55
Width	300 mm (11.81 in)
Height	780 mm (30.71 in)
Depth	430 mm (16.93 in)
Weight	28.7 Kg (63 lbs)
Depth	690 mm (27.17 in)
Weight	31.1 kg (68.57 lbs)