



INSTALLATION 2025

dBTechnologies

PRODUCT INDEX

COMMERCIAL AUDIO

IS3T-TRF	2-Way Passive Speaker.....	8
IS5T-TRF	2-Way Passive Speaker.....	8
IS6T-TRF	2-Way Passive Speaker.....	8
IS4T / IS4T-WP	Passive Fullrange Speaker.....	10
IS5T / IS5T-WP	Passive Fullrange Speaker.....	12
IS6T / IS6T-WP	Passive Coaxial Speaker.....	14
IS8S / IS8S-WP	Passive Subwoofer.....	16
IS12S / IS12S-WP	Passive Subwoofer.....	18
Examples of installation	20

PASSIVE - PERFORMANCE

IS25T / IS25T-WP	Passive 2-way Speaker.....	22
IS26T / IS26T-WP	Passive 2-way Speaker.....	25
IS210T	Passive 2-way Speaker.....	28
IS210L	Passive 2-way Line-Array.....	30
IS115S	Passive Subwoofer.....	32
IS118S	Passive Subwoofer.....	34
Examples of installation	36

ACTIVE - PERFORMANCE

VIO C12	Active 2-way Cluster Speaker.....	40
VIO C15	Active 2-way Cluster Speaker.....	42
VIO X205	Active 2-way Speaker.....	44
VIO X206	Active 2-way Speaker.....	46
VIO S115	Active Subwoofer.....	49
Examples of installation	51

ELECTRONICS

IA504R	Amplifier RDNNet.....	53
IA504D	Amplifier Dante.....	53
IA3204R	Amplifier RDNNet.....	55
IA3204D	Amplifier Dante.....	55
CONTROL2	Controller.....	57
CONTROL8	Controller.....	58
CONTROL24A	Controller.....	59
AC26N	Controller.....	60

SOFTWARE

AuroraNet	Management Software.....	61
Services	dBTechnologies Installaion Services.....	62

INTRODUCING THE DBTECHNOLOGIES PERFORMANCE INSTALLATION DEPARTMENT

At dBTechnologies, our commitment to delivering exceptional audio solutions extends beyond product development and sales. We are proud to introduce our Performance Installation Department (PID), a dedicated division that specializes in planning, executing, and supporting installation projects worldwide.

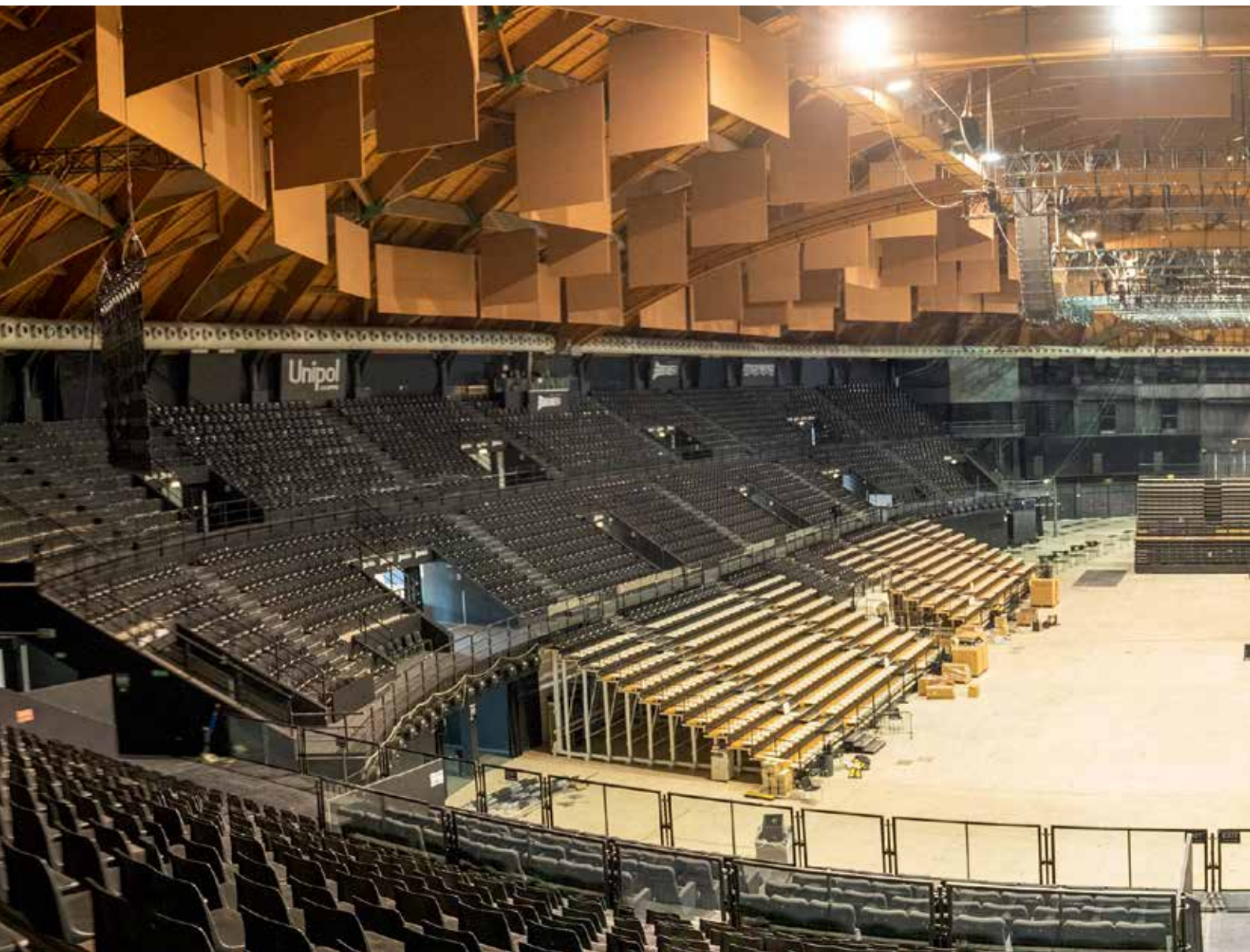
COMPREHENSIVE PROJECT MANAGEMENT

From our headquarters in Bologna to our distribution offices around the globe, the PID team possesses a deep understanding of local regulations and environmental conditions. This expertise ensures that every installation project is tailored to meet the specific needs of each

location, guaranteeing optimal performance and compliance.

ADVANCED ACOUSTIC SIMULATIONS

Our PID team leverages state-of-the-art simulation tools, including EASE® and EASE Focus®, to design precise and effective audio solutions. These simulations enable us to predict acoustic outcomes accurately, ensuring that the final installation delivers superior sound quality. By visualizing the impact of our designs in advance, we can make informed adjustments to achieve the perfect balance between acoustic excellence and aesthetic integration.



DETAILED PLANNING AND SUPPORT

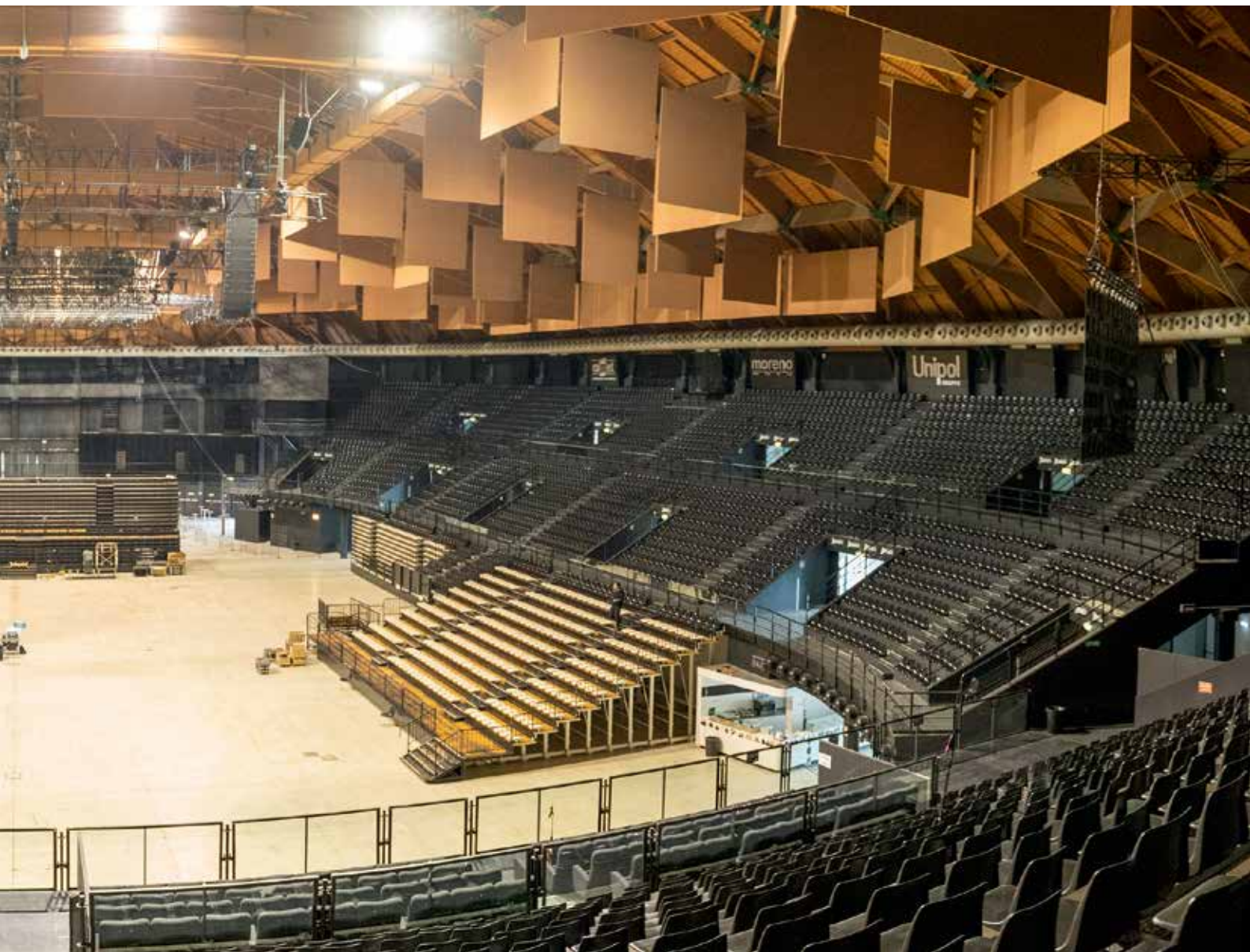
We work closely with planners and architects worldwide, providing them with the necessary knowledge and resources to achieve outstanding results. Our detailed planning process includes meticulous analysis and customization, considering both acoustic and visual aspects to create harmonious and efficient audio environments.

Whether it's a concert hall, a corporate space, or a public venue, the PID at dBTechnologies is committed to transforming your vision into reality with precision and professionalism. Our goal is to ensure that every installation not only meets but exceeds expectations, delivering an unparalleled audio experience.

GET STARTED TODAY

By choosing dBTechnologies and our Performance Installations Department, you are investing in expertise, innovation, and a seamless support system dedicated to your project's success. Contact us today to discuss your installation needs and discover how our PID team can help bring your audio vision to life.

Send your inquiry to:
installation@dbtechnologies-aeb.com



IS SERIES

The IS Series offers tailored audio solutions through its Commercial Audio and Performance products, ensuring optimal sound for any setting. The Commercial Audio speakers excel in environments that demand crystal-clear speech clarity and gentle background music, enhancing spaces where communication and ambiance are key.

Alternatively, the Performance products cater to

scenarios requiring vigorous and potent audio output, perfect for live music or events where high energy and impactful sound are essential.

This strategic division enables users to select the perfect audio system that aligns with their specific needs, whether they seek a soothing background atmosphere or a dynamic, powerful audio experience.



	FORM FACTOR	DRIVER CONFIGURATION	HOUSING	APPLICATION	IP RATING
--	-------------	----------------------	---------	-------------	-----------

PASSIVE COMMERCIAL AUDIO

IS3T-TRF	Compact speaker	3.5" LF, 1" exit HF	ABS	Indoor & Outdoor	IP55
IS5T-TRF	Compact speaker	5.25" LF, 1" exit HF	ABS	Indoor & Outdoor	IP55
IS6T-TRF	Compact speaker	6.5" LF, 1" exit HF	ABS	Indoor & Outdoor	IP55
IS4T	Cube speaker	4" full-range	Wood	Indoor	IP32
IS4T-WP	Cube speaker	4" full-range	Wood	Indoor & Outdoor	IP55
IS5T	Cube speaker	5" full-range	Wood	Indoor	IP32
IS5T-WP	Cube speaker	5" fullrange	Wood	Indoor & Outdoor	IP55
IS6T	Cube speaker	6.5" LF, 0.75" coaxial HF	Wood	Indoor	IP32
IS6T-WP	Cube speaker	6.5" LF, 0.75" coaxial HF	Wood	Indoor & Outdoor	IP55
IS8S	Subwoofer	8" LF	Plywood	Indoor	IP32
IS8S-WP	Subwoofer	8" LF	Plywood	Indoor & Outdoor	IP55
IS12S	Subwoofer	12" LF	Plywood	Indoor	IP32
IS12S-WP	Subwoofer	12" LF	Plywood	Indoor & Outdoor	IP55

PASSIVE PERFORMANCE

IS25T	Compact speaker	2x 5" LF, 1" exit HF	Wood	Indoor	IP32
IS25T-WP	Compact speaker	2x 5" LF, 1" exit HF	Wood	Indoor & Outdoor	IP55
IS26T	Compact speaker	2x 6.5" LF, 1" exit HF	Wood	Indoor	IP32
IS26T-WP	Compact speaker	2x 6.5" woofers, 1" exit HF	Wood	Indoor & Outdoor	IP55
IS8S	Subwoofer	8" LF	Plywood	Indoor	IP32
IS8S-WP	Subwoofer	8" LF	Plywood	Indoor & Outdoor	IP55
IS12S	Subwoofer	12" LF	Plywood	Indoor	IP32
IS12S-WP	Subwoofer	12" LF	Plywood	Indoor & Outdoor	IP55
IS210T	Point Source Speaker	2x 10" LF, 1.4" exit HF	Plywood	Indoor & Outdoor	IP55
IS210L	Line-array module	2x 10" LF, 1.4" exit HF	Plywood	Indoor & Outdoor	IP55
IS115S	Flyable Subwoofer	15" LF	Plywood	Indoor & Outdoor	IP55
IS118S	Flyable Subwoofer	18" LF	Plywood	Indoor & Outdoor	IP55

Models labeled IP55 or WP are designed for outdoor use and provide protection against limited dust ingress and water jets from any direction. Models labeled IP32 are designed for indoor use and provide protection against solid objects larger than 2.5 mm and limited protection against water drops when the device is tilted at up to 15 degrees.

IS-TRF



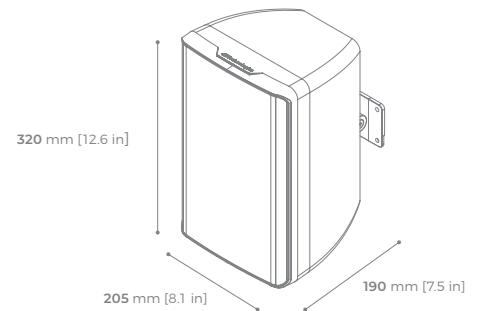
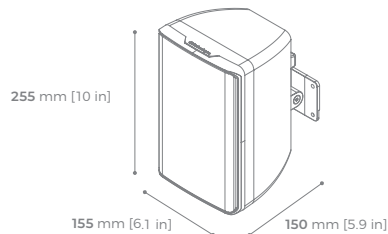
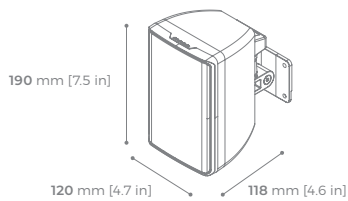
KEY FEATURES

- **PASSIVE SPEAKER - IS3T-TRF, IS5T-TRF, IS6T-TRF**
- **IP55 CERTIFICATION**
- **ABS ENCLOSURE**
- **70/100V TRANSFORMER - 8 OHM**
- **INCLUDED MOUNTING BRACKET**
- **AVAILABLE IN BLACK OR WHITE**

The IS TRF Series includes three robust and compact passive speaker models designed for delivering high-quality background music in a variety of settings. Thanks to their durable ABS housing and IP55 certification, these speakers are suitable for both indoor and outdoor use. The series comprises the IS3T-TRF, IS5T-TRF, and IS6T-TRF models, featuring 2-way configurations with woofer sizes of 3.5, 5.25, and 6.25 inches respectively.

Each model supports traditional 8-ohm operation as well as 70/100-volt line systems, making them ideal for distributed audio setups. Available in black or white, with the white version customizable to suit interior designs, all models come with included mounting brackets for easy installation, ensuring both aesthetic integration and excellent sound performance in any environment.

	IS3T-TRF	IS5T-TRF	IS6T-TRF
Speaker Type	Passive 2-Way Speaker	Passive 2-Way Speaker	Passive 2-Way Speaker
Impedance	70V/100V, 8 Ohms	70V/100V, 8 Ohms	70V/100V, 8 Ohms
Frequency Response [-6 dB]	110 Hz - 19,000 Hz	100 Hz - 19,000 Hz	90 Hz - 19,000 Hz
Max SPL	107 dB	113.5 dB	115.5 dB
Dispersion	110° x 100°	85° x 80°	80° x 75°
HF	1" exit, 0.5" v.c.	1" exit, 0.75" v.c.	1" exit, 1" v.c.
LF	1x 3.5", 1" v.c.	1x 5.25", 1" v.c.	1x 6.5", 1.5" v.c.
Power RMS / Peak	30 W / 120 W	50 W / 200 W	60 W / 240 W
Connector Type	Phoenix	Phoenix	Phoenix
70/100W Transformer	Integrated	Integrated	Integrated
Housing	ABS, Aluminium Grille	ABS, Aluminium Grille	ABS, Aluminium Grille
IP Rating	IP 55	IP 55	IP 55
Wall Mount	Bracket included	Bracket included	Bracket included
Width	120 mm (4.7 in)	155 mm (6.1 in)	205 mm (8.1 in)
Height	190 mm (7.5 in)	255 mm (10 in)	320 mm (12.6 in)
Depth	118 mm (4.6 in)	150 mm (5.9 in)	190 mm (7.5 in)
Weight	1.6 kg (3.5 lbs)	2.8 kg (5.1 lbs)	3.9 kg (8.6 lbs)
Accessories	Bracket included	Bracket included	Bracket included



DBTECHNOLOGIES CODE

- 1030401370** IS3T-TRF black
- 1030401400** IS3T-TRF-W white
- 1030401380** IS5T-TRF black
- 1030401410** IS5T-TRF-W white
- 1030401390** IS6T-TRF black
- 1030401420** IS6T-TRF-W white

IS4T

IS4T-WP



KEY FEATURES

- **PASSIVE FULL-RANGE CUBE SPEAKER - IS4T AND IS4T-WP**
- **BRACKET INCLUDED**
- **BLACK OR WHITE VERSION AVAILABLE**
- **PHOENIX CONNECTORS**
- **FAST INSTALLATION**
- **SPEAKON CONNECTION KIT FOR IS4T AVAILABLE**

The IS4T and IS4T-WP are cube speakers from the IS series, each designed for permanent installation with a focus on delivering high-quality background music. Equipped with a 4" component, these speakers feature compact, versatile cabinets that fit seamlessly into various environments. Both models are available in black or white, with customization options for the color finish of the white version.

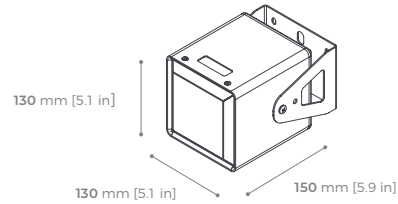
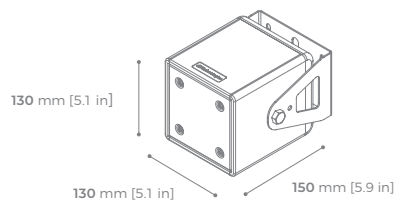
Installation is streamlined with a dedicated bracket included in each package, promoting quick setup. The design of both models is smooth, featuring nearly invisible mounting points and Phoenix

connectors, which highlight the ease of installation and unobtrusiveness.

The IS4T, suitable for indoor use, is also capable of performing in outdoor settings that are not excessively exposed to the elements. Meanwhile, the IS4T-WP is engineered with robustness in mind, boasting an IP55 certification that makes it ideal for both indoor and outdoor use in a variety of environmental conditions. This model's design ensures it remains a practical and reliable choice for comprehensive sound reinforcement needs.

IS4T**IS4T-WP**

Speaker Type	Passive Full-range Speaker	Passive Full-range Speaker
Impedance	8 Ohms	8 Ohms
Frequency Response [-6 dB]	110 Hz - 20,000 Hz	110 Hz - 20,000 Hz
Max SPL	111 dB	111 dB
Dispersion	110° x 110°	110° x 110°
HF	-	-
LF	1x 4", 1" v.c. full-range woofer	1x 4", 1" v.c. full-range woofer
Power RMS / Peak	40 W / 160 W	40 W / 160 W
Connector Type	Phoenix	Phoenix
Housing	Wood, water-painted coating	Wood, polyurea finish
IP Rating	IP 32	IP 55
Rigging points	2x M6 threaded nut	2x M6 threaded nut
Width	130 mm (5.1 in)	130 mm (5.1 in)
Height	130 mm (5.1 in)	130 mm (5.1 in)
Depth	150 mm (5.9 in)	150 mm (5.9 in)
Weight	2 kg (4.4 lbs)	2 kg (4.4 lbs)
Accessories	Bracket included	Bracket included

**DBTECHNOLOGIES CODE**

1030400860 IS4T black
 1030400930 IS4T-W white
 1030401390 IS6T-TRF black
 1030401420 IS6T-TRF-W white

ACCESSORIES**BP-IS**

Barrier strip panel for IS series speakers

SP-IS

SpeakON® Panel for IS series speakers

IS5T IS5T-WP



KEY FEATURES

- **PASSIVE FULL-RANGE CUBE SPEAKER - IS5T AND IS5T-WP**
- **BRACKET INCLUDED**
- **BLACK OR WHITE VERSION AVAILABLE**
- **PHOENIX CONNECTORS**
- **FAST INSTALLATION**
- **SPEAKON CONNECTION KIT FOR IS5T AVAILABLE**

The IS5T and IS5T-WP are cube speakers from the IS series, designed for permanent installation both indoors and with varying degrees of outdoor suitability. Both models are equipped with a 5" component, offering compact, versatile cabinets ideal for high-quality background music. They share a minimal design available in black or white, with customization options for the white version's color finish.

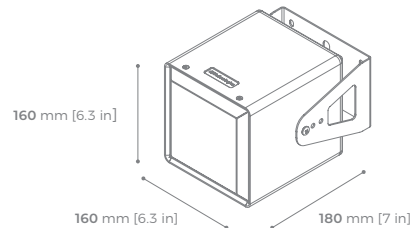
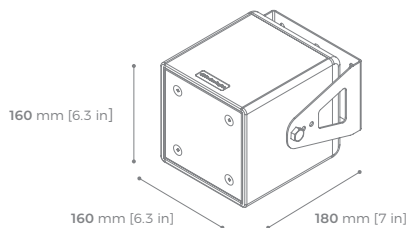
Installation for both models is facilitated by a dedicated bracket included in the package, ensuring quick setup. They feature a smooth design

with nearly invisible mounting points and Phoenix connectors, emphasizing ease of installation and unobtrusiveness.

The IS5T, with an IP32 rating, is designed for indoor use and is also adaptable for outdoor settings that are less exposed to extreme conditions. In contrast, the IS5T-WP, with its robust IP55 certification, is perfectly suited for full outdoor use as well as indoor environments, making it an exceptionally versatile and reliable choice for sound reinforcement across a variety of environmental conditions.

IS5T**IS5T-WP**

Speaker Type	Passive Full-range Speaker	Passive Full-range Speaker
Impedance	8 Ohms	8 Ohms
Frequency Response [-6 dB]	95 Hz - 18,000 Hz	95 Hz - 18,000 Hz
Max SPL	116 dB	116 dB
Dispersion	110° x 110°	110° x 110°
HF	-	-
LF	1x 5", 1" v.c. full-range woofer	1x 5", 1" v.c. full-range woofer
Power RMS / Peak	60 W / 240 W	60 W / 240 W
Connector Type	Phoenix	Phoenix
Housing	Wood, water-painted coating	Wood, polyurea finish
IP Rating	IP 32	IP 55
Rigging points	2x M6 threaded nut	2x M6 threaded nut
Width	160 mm (6.3 in)	160 mm (6.3 in)
Height	160 mm (6.3 in)	160 mm (6.3 in)
Depth	180 mm (7 in)	180 mm (7 in)
Weight	2.8 kg (6.17 lbs)	2.8 kg (6.17 lbs)
Accessories	Bracket included	Bracket included

**DBTECHNOLOGIES CODE**

1030400870 IS5T black
 1030400940 IS5TW white
 1030401220 IS5T-WP black
 1030401300 IS5T-WP-W white

ACCESSORIES**BP-IS**

Barrier strip panel for IS series speakers

SP-IS

SpeakON® Panel for IS series speakers

IS6T

IS6T- WP



KEY FEATURES

- **PASSIVE 2-WAY COAXIAL CUBE SPEAKER - IS6T AND IS6T-WP**
- **BRACKET INCLUDED**
- **BLACK OR WHITE VERSION AVAILABLE**
- **PHOENIX CONNECTORS**
- **FAST INSTALLATION**
- **SPEAKON CONNECTION KIT AVAILABLE FOR IS6T**

The IS6T and IS6T-WP are coaxial cube speakers from the IS series, designed for permanent installation with a focus on delivering high-quality background music. Equipped with a 6.5" coaxial component, these speakers feature compact and versatile cabinets that blend seamlessly into various environments. Both models are available in black or white, with customization options for the color finish of the white version.

Installation for both the IS6T and IS6T-WP is efficient, thanks to the dedicated bracket included with each speaker, ensuring quick setup. The design is sleek, featuring nearly invisible mounting

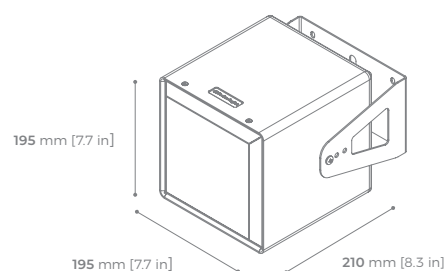
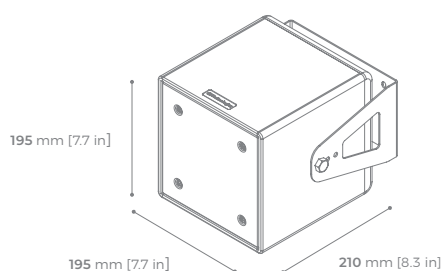
points and Phoenix connectors, emphasizing ease of installation and unobtrusiveness.

The IS6T is ideal for indoor environments and also suitable for less exposed outdoor settings, accommodating versatile installation needs without compromising on sound quality. The IS6T-WP, however, is particularly robust with an IP55 certification, making it an excellent choice for both indoor and outdoor use in various environmental conditions. This model offers not only versatility and durability but also maintains the series' commitment to minimal design and functional aesthetics.

IS6T

IS6T-WP

Speaker Type	2-way Passive Coaxial Speaker	2-way Passive Coaxial Speaker
Impedance	8 Ohms	8 Ohms
Frequency Response [-6 dB]	85 Hz - 20,000 Hz	85 Hz - 20,000 Hz
Max SPL	119 dB	119 dB
Dispersion	100° x 100°	100° x 100°
HF	1x 0.75", 1" v.c. Neodymium	1x 0.75", 1" v.c. Neodymium
LF	1x 6.5", 1.5" v.c. Coaxial woofer	1x 6.5", 1.5" v.c. Coaxial woofer
Power RMS / Peak	100 W / 400 W	100 W / 400 W
Connector Type	Phoenix	Phoenix
Housing	Wood, water-painted coating	Wood, polyurea finish
IP Rating	IP 32	IP 55
Rigging points	2x M6 threaded nut	2x M6 threaded nut
Width	195 mm (7.7 in)	195 mm (7.7 in)
Height	195 mm (7.7 in)	195 mm (7.7 in)
Depth	210 mm (8.3 in)	210 mm (8.3 in)
Weight	4.8 kg (10.6 lbs)	4.8 kg (10.6 lbs)
Accessories	Bracket included	Bracket included



DBTECHNOLOGIES CODE

- 1030400880 IS6T black
- 1030400950 IS6TW white
- 1030401230 IS6T-WP black
- 1030401310 IS6T-WP-W white

ACCESSORIES

BP-IS



Barrier strip panel for IS series speakers

SP-IS



SpeakON® Panel for IS series speakers

IS8S

IS8S-WP



KEY FEATURES

- PASSIVE 8" SUBWOOFERS
- FLYABLE
- COMPACT UNOBTRUSIVE DESIGN
- BLACK OR WHITE VERSION AVAILABLE
- PHOENIX CONNECTORS
- SPEAKON CONNECTION KIT AVAILABLE

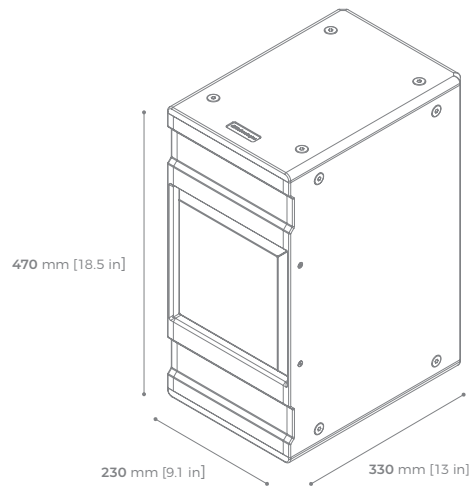
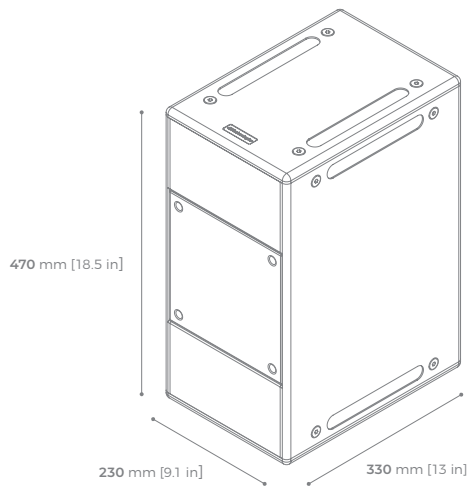
The IS series includes two passive subwoofers, the IS8S and IS8S-WP, each equipped with a single 8" woofer, designed to extend the low-frequency response discreetly in various venues. These compact subwoofers blend seamlessly into any setting due to their minimal and standard design, emphasizing ease of installation and unobtrusiveness. Both models maintain the series' commitment to aesthetic flexibility, available in black or white, with the option to customize the color finish of the white version.

The IS8S-WP offers enhanced durability with its design suitable for both indoor and outdoor use, ensuring it meets the demands of any environment without compromising on performance. The smooth design of these subwoofers, combined with reliable Phoenix connectors, makes them an excellent choice for applications requiring a low-end extension without drawing too much attention to the audio setup itself.

IS8S

IS8S-WP

Speaker Type	Passive Subwoofer	Passive Subwoofer
Impedance	8 Ohms	8 Ohms
Frequency Response [-6 dB]	50 Hz - custom LPF	50 Hz - custom LPF
Max SPL	116 dB	116 dB
LF	1x 8", 2" v.c.	1x 8", 2" v.c.
Power RMS / Peak	200 W / 800 W	200 W / 800 W
Connector Type	Phoenix	Screw terminal block (IN+ IN- OUT+ OUT-)
Housing	Plywood, water-painted coating	Plywood, polyurea finish
IP Rating	IP 32	IP 55
Rigging points	16x M8 pickup point	16x M8 pickup point
Width	230 mm (9.1 in)	230 mm (9.1 in)
Height	470 mm (18.5 in)	470 mm (18.5 in)
Depth	330 mm (13 in)	330 mm (13 in)
Weight	10 kg (22 lbs)	10 kg (22 lbs)



DBTECHNOLOGIES CODE

1030400910 IS8S black
1030400980 IS8SW white
1030401270 IS8S-WP black
1030401350 IS8S-WP-W white

ACCESSORIES

BP-IS



Barrier strip panel for IS series speakers

SP-IS



SpeakON® Panel for IS series speakers

IS12S

IS12S-WP



KEY FEATURES

- PASSIVE SUBWOOFERS
- IP55 CERTIFICATION (WP)
- FLYABLE WITH DEDICATED ACCESSORIES
- AVAILABLE IN BLACK OR WHITE
- WEATHER PROOF VERSION AVAILABLE (WP)

To complete the extension of low frequencies, the IS series offers two passive 12" subwoofers, each equipped with a single 12" woofer.

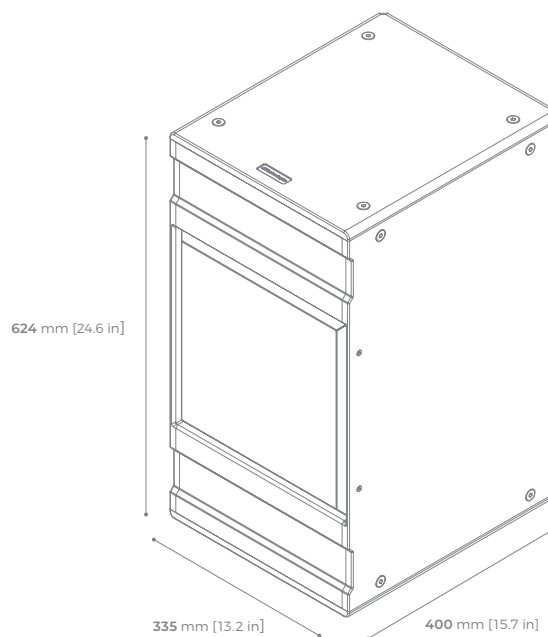
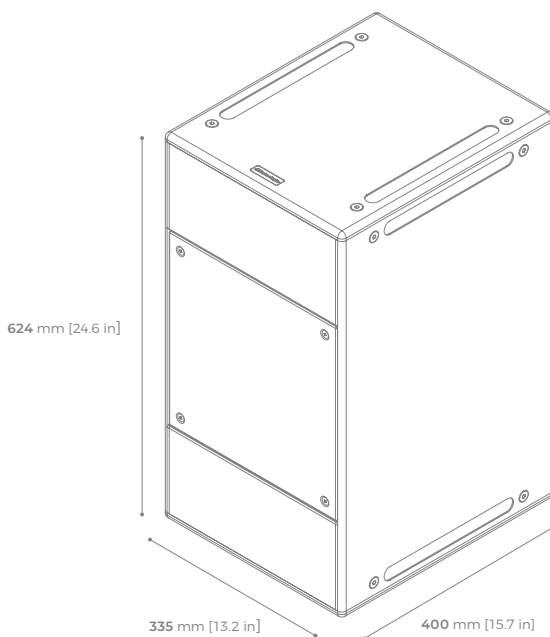
The compact dimensions and standard design that characterize the two complements guarantee discreet, non-intrusive applications with high durability.

IS12S and IS12S-WP retains the minimal design of the entire series, with the possibility of customizing the color finish of the white version by yourself.

IS12S

IS12S-WP

Speaker Type	Passive Subwoofer	Passive Subwoofer
Impedance	8 Ohms	8 Ohms
Frequency Response [-6 dB]	40 Hz - custom LPF	40 Hz - custom LPF
Max SPL	127.5 dB	127.5 dB
LF	1x 12", 2.5" v.c.	1x 12", 2.5" v.c.
Power RMS / Peak	250 W / 1000 W	250 W / 1000 W
Connector Type	Phoenix	Screw terminal block (IN+ IN- OUT+ OUT-)
Housing	Plywood, water-painted coating	Plywood, polyurea coating
IP Rating	IP 32	IP 55
Rigging points	16x M8 pickup point	16x M8 pickup point
Width	335 mm (13.2 in)	335 mm (13.2 in)
Height	624 mm (24.6 in)	624 mm (24.6 in)
Depth	400 mm (15.7 in)	400 mm (15.7 in)
Weight	15 kg (33 lbs)	15 kg (33 lbs)



DBTECHNOLOGIES CODE

1030400920 IS12S black
1030401280 IS12S-WP black
1030400990 IS12SW white
1030401360 IS12SWP-W white

ACCESSORIES

BP-IS



Barrier strip panel for IS series speakers

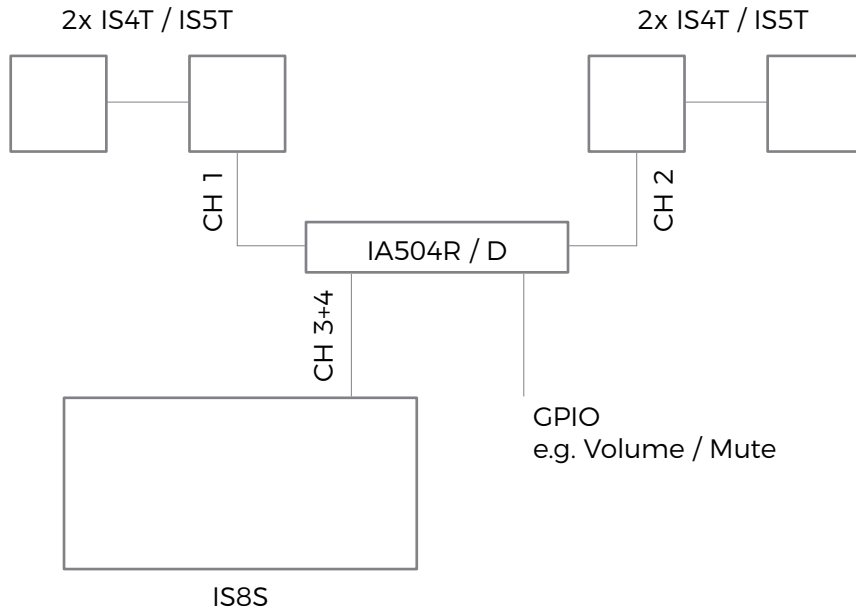
SP-IS



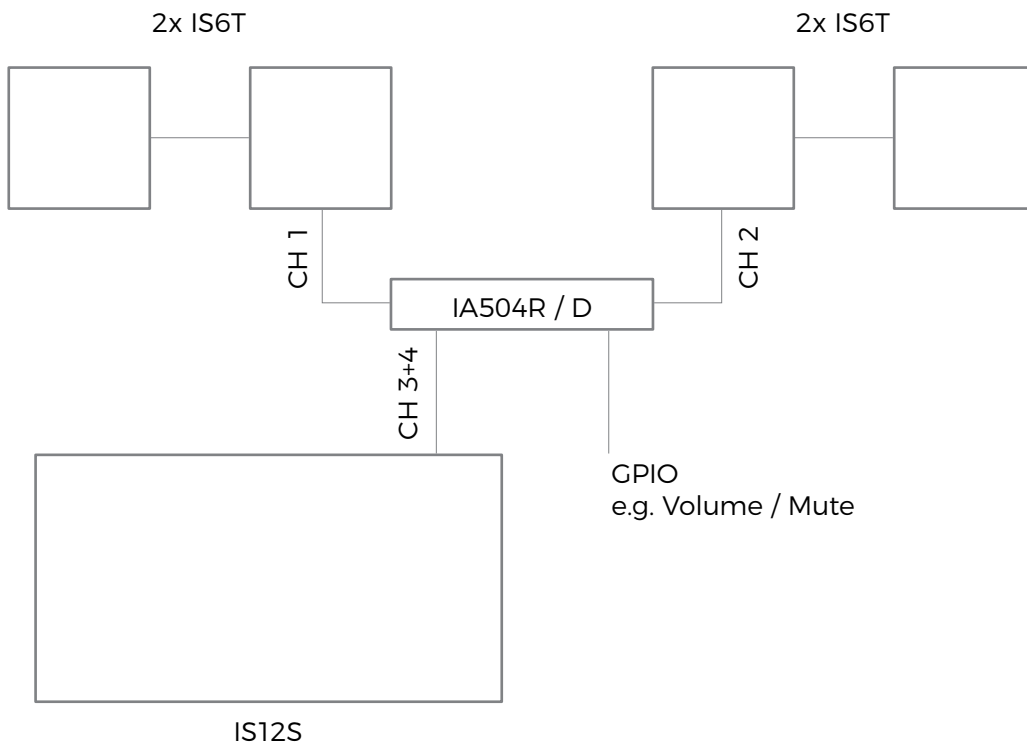
SpeakON® Panel for IS series speakers

EXAMPLES OF INSTALLATION

RETAIL / SHOP

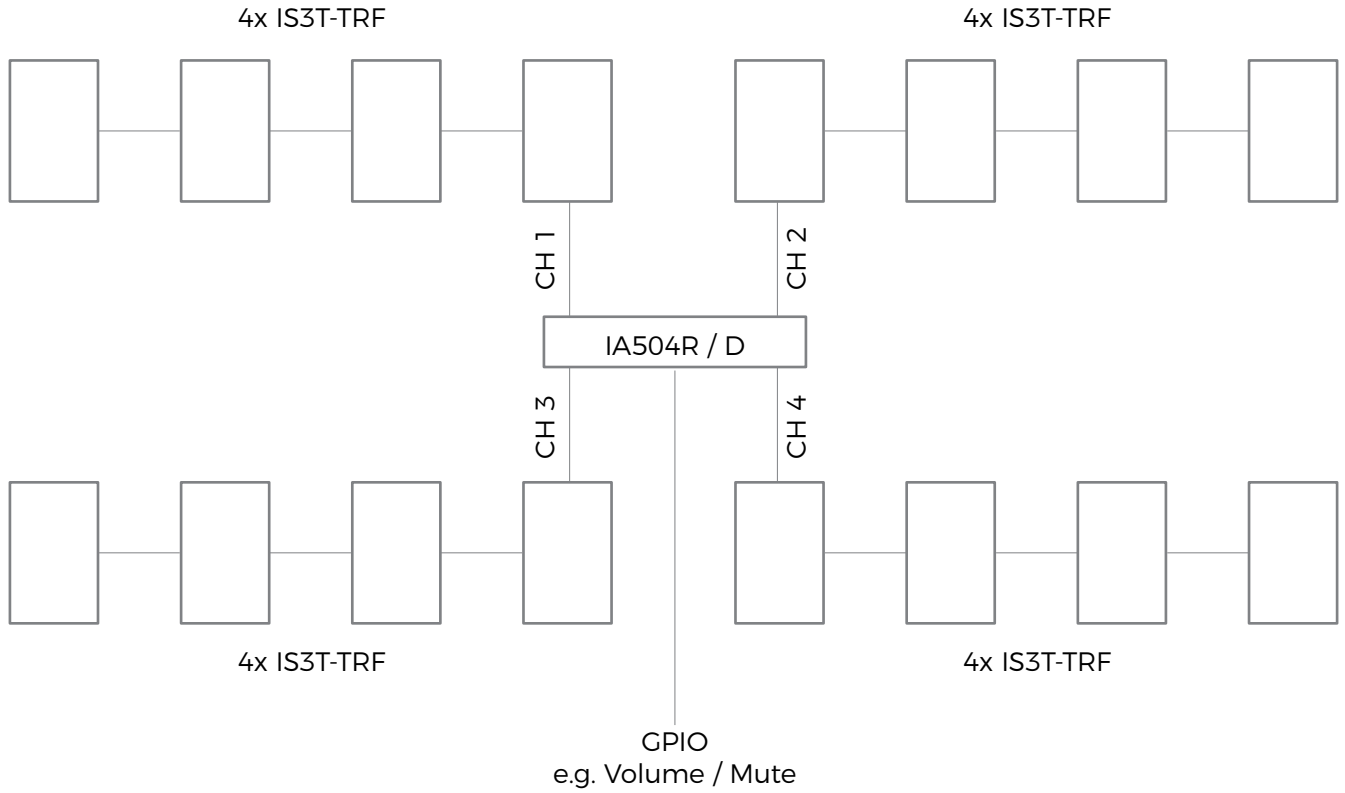


HOSPITALITY / EVENT



EXAMPLES OF INSTALLATION

SHOPPING MALL/CONFERENCE



IS25T

IS25T-WP



KEY FEATURES

- PASSIVE 2-WAY SPEAKER
- 100°x60° DISPERSION PATTERN
- ROTATABLE HORN
- VERTICAL OR HORIZONTAL USE
- BLACK OR WHITE VERSION AVAILABLE
- PHOENIX CONNECTORS

The IS25T and IS25T-WP are part of the IS series, each equipped with two 5" woofers and a 1" compression driver, designed to deliver high-quality sound with a constant dispersion of 60x100°. Both models can be installed either vertically or horizontally, offering flexibility and maintaining a sleek, unobtrusive appearance.

The IS25T is ideal for indoor environments where ease of installation and a minimal design are prioritized. It comes equipped with either Phoenix or Speakon connectors and is available in both black and white versions. This model provides excellent sound performance with its dual woofer configuration and high-frequency driver.

The IS25T-WP builds on the features of the IS25T with enhanced ruggedness and versatility for

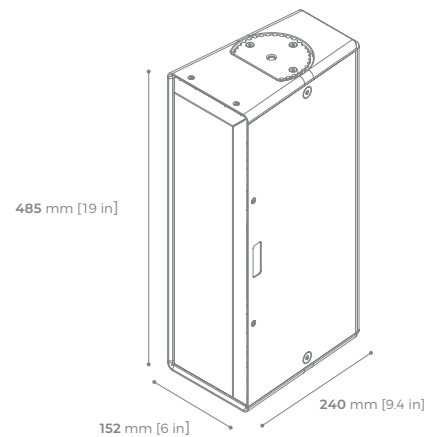
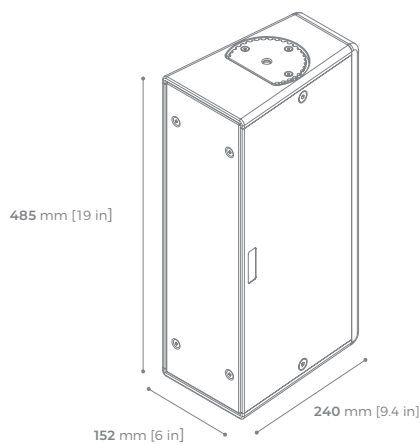
both indoor and outdoor use, thanks to its IP55 protection that safeguards against environmental elements. The rotatable horn enhances its acoustic performance, allowing for flexible installation orientations while retaining the series' minimalistic design ethos. Additionally, the IS25T-WP offers customization options for the color finish of the white version, making it adaptable to various aesthetic preferences.

Both models are supported by extensive accessory options that enhance their usability and installation potential, ensuring that they can be perfectly integrated into a wide range of audio setups. This extensive range of accessories makes the IS25T and IS25T-WP excellent choices for scenarios requiring durable and high-performing sound reinforcement in diverse settings.

IS25T

IS25T-WP

Speaker Type	2-way Passive Loudspeaker	2-way Passive Loudspeaker
Impedance	8 Ohms	8 Ohms
Frequency Response [-6 dB]	85 Hz - 20,000 Hz	85 Hz - 20,000 Hz
Max SPL	121.5 dB	121.5 dB
Dispersion	100x60°	100x60°
HF	1" exit, 1.4" v.c.	1" exit, 1.4" v.c.
LF	2x 5", 1" v.c.	2x 5", 1" v.c.
Power RMS / Peak	120 W / 480 W	120 W / 480 W
Connector Type	Phoenix	Phoenix
Housing	Plywood, water-painted coating	Plywood, water-painted coating
IP Rating	IP 32	IP 55
Rigging points	2x M10 threaded nut (top and bottom)	2x M10 threaded nut (top and bottom)
Width	152 mm (6 in)	152 mm (6 in)
Height	485 mm (19 in)	485 mm (19 in)
Depth	240 mm (9.4 in)	240 mm (9.4 in)
Weight	7 kg (15.4 lbs)	7 kg (15.4 lbs)



DBTECHNOLOGIES CODE

1030400890 IS25T black

1030400960 IS25TW white

1030401240 IS25T-WP black

1030401320 IS25T-WP-W white

IS25T / IS25T-WP

ACCESSORIES

BP-IS



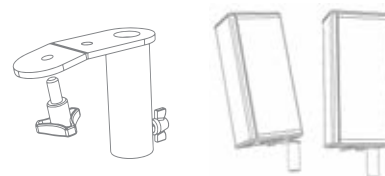
Barrier strip panel for IS series speakers

FC-VIOX205



Functional cover

SA-VIOX205



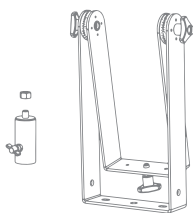
Speaker stand adapter

SP-IS



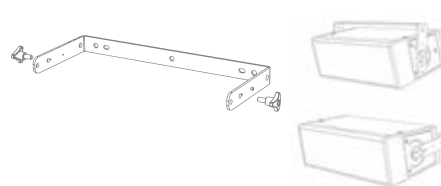
SpeakON® Panel for IS series speakers

WB-VIOX205V



Vertical bracket 36mm pole mount included

WB-VIOX205H



Horizontal wall bracket

IS26T

IS26T-WP



KEY FEATURES

- PASSIVE 2-WAY SPEAKER
- 60°x90° ROTATABLE HORN VERSION
- 100°x15° ARRAYABLE VERSION WITH WAVEGUIDE
- POINT SOURCE OR LINE ARRAY USE
- BLACK OR WHITE VERSION AVAILABLE
- PHOENIX CONNECTORS
- SPEAKON CONNECTION KIT AVAILABLE FOR IS26T

The IS26T and IS26T-WP are full-range 2-way passive speakers, each equipped with dual 6.5" woofers and a 1" compression driver, delivering a high-performance audio experience. These compact models offer a high linear response and maximum sound pressure, showcasing the best of dBTechnologies' acoustic expertise in one of the most versatile solutions in the series.

Both models feature two different coverage options to cater to diverse acoustic needs: a standard constant dispersion of 60x90° or a more focused 100°x15° pattern. This versatility is enhanced by a waveguide that allows the speakers to transition from a point source to a line array system, making them suitable for a variety of spatial configurations.

Designed for professional use, both the IS26T and IS26T-WP embody the series' emphasis on ease of installation and unobtrusiveness. They boast a minimal design, available in black or white, with the option for users to customize the color finish of the white version. The speakers include invisible mounting points and, for the IS26T-WP, IP55 protection, ensuring durability and reliability in both indoor and outdoor settings.

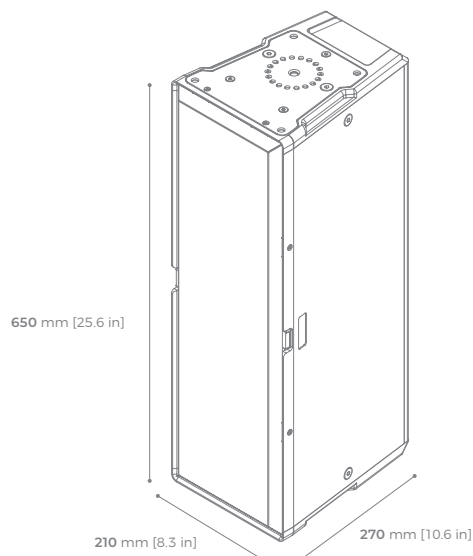
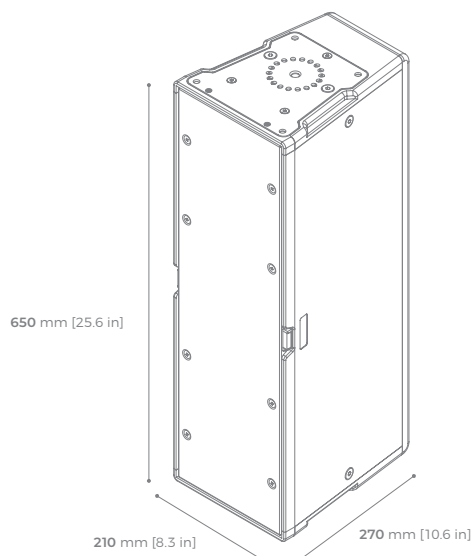
These speakers blend seamlessly into any environment while providing flexible and powerful sound reinforcement, making them ideal for a range of professional applications.

IS26T / IS26T-WP

IS26T

IS26T-WP

Speaker Type	2-way Passive Loudspeaker	2-way Passive Loudspeaker
Impedance	8 Ohms	8 Ohms
Frequency Response [-6 dB]	85 Hz - 20,000 Hz	85 Hz - 20,000 Hz
Max SPL	124 dB	124 dB
IS26T Dispersion	60x90°	60x90°
IS26T100 Dispersion	100x15°	100x15°
HF	1" exit, 1.7" v.c.	1" exit, 1.7" v.c.
LF	2x 6.5", 1.7" v.c.	2x 6.5", 1.7" v.c.
Power RMS / Peak	250 W / 1000 W	250 W / 1000 W
Connector Type	Phoenix	Phoenix
Housing	Plywood, water-painted coating	Plywood, water-painted coating
IP Rating	IP 32	IP 55
Rigging points	2x M10 threaded nut (top and bottom)	2x M10 threaded nut (top and bottom)
Width	210 mm (8.3 in)	210 mm (8.3 in)
Height	650 mm (25.6 in)	650 mm (25.6 in)
Depth	270 mm (10.6 in)	270 mm (10.6 in)
Weight	15.5 kg (34.17 lbs)	15.5 kg (34.17 lbs)



DBTECHNOLOGIES CODE

1030400900 IS26T black

1030401140 IS26T100 black

1030400970 IS26T white

1030401150 IS26T100W white

1030401250 IS26TWP black

1030401260 IS26T100WP black

1030401330 IS26TWP white

1030401340 IS26TWP100WP white

ACCESSORIES

BP-IS



Barrier strip panel for IS series speakers

DRK-1



Flybar

DRK-2



Double-hanging flybar

FC-206



Functional cover

HB-2X6



Horizontal bracket

HK-15100HW



100x15° waveguide kit

HK-6090



60x90° horn kit

LP-2



Link plate for VIO X206

LP-3



60°-link plate

SA-2X6



Speaker stand adapter

SP-IS



SpeakON® Panel for IS series speakers

VB-2X6



Vertical bracket

IS210T

KEY FEATURES

- HIGH PROFESSIONAL ACOUSTIC PERFORMANCE
- PREMIUM COMPONENTS
- TOURING INSPIRATION
- MAXIMUM CONFIGURABILITY IN STACKING OR HANGING
- IP55 CERTIFICATION
- MAXIMUM RESISTANCE TO WEATHER AGENTS
- AVAILABLE IN BLACK OR WHITE

From the dBTechnologies experience in the world of sound reinforcement, the first high-performance point source for high-profile installations is born.

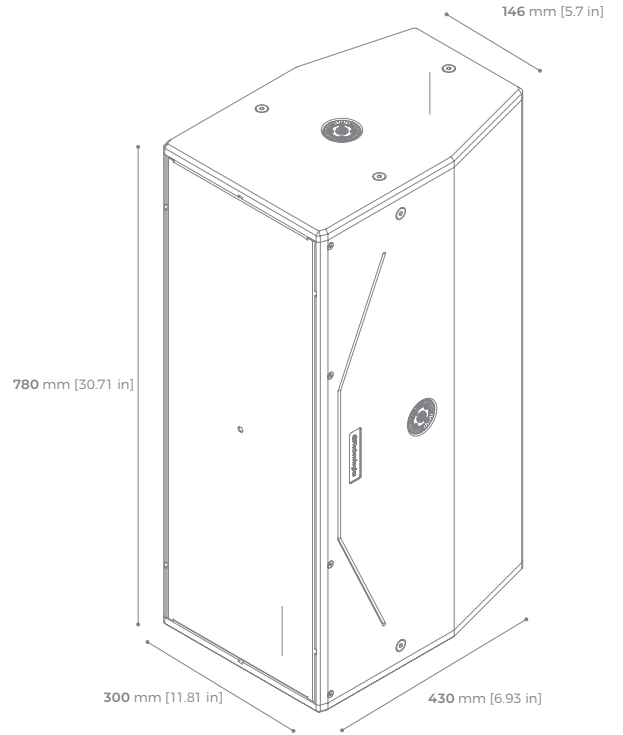
Combining excellent acoustic performance with the versatility guaranteed by dedicated accessories for flyable or pole configurations, IS210T is a solution designed for sound reinforcement in medium and large environments such as arenas, performing arts center, houses of worship, multifunctional venues, and clubs.



The symmetrical configuration with two 10" woofers makes the top performing both in indoor and outdoor acoustic contexts; the IP55 certification ensures high resistance to different weather conditions and increase the system durability. IS210T is available in white and black, with the possibility of customizing the color finish of the white version by yourself.

IS210T

Speaker Type	2-way Passive Loudspeaker
Impedance	8 Ohms
Frequency Response [-6 dB]	60 Hz - 17,800 Hz
Max SPL	133 dB
Dispersion	90x40°
HF	1.4" exit, 2.4" v.c.
LF	2x 10", 2.5" v.c.
Power RMS / Peak	400 W / 1600 W
Connections	Screw terminal block (LF+ LF- HF+ HF-)
Housing	Plywood, water-painted coating
IP Rating	IP 55
Rigging points	flyable with bracket
Width	300 mm (11.81 in)
Height	780 mm (30.71 in)
Depth	430 mm (16.93 in)
Weight	28.7 kg (63lbs)



DBTECHNOLOGIES CODE

1030401190 IS210T black
 1030401440 IS210T white

ACCESSORIES

HB-3X10



Horizontal bracket

SP-IS



SpeakON® Panel for IS series speakers

VB-3X10



Vertical bracket

IS210L



KEY FEATURES

- HIGH PROFESSIONAL ACOUSTIC PERFORMANCE
- PREMIUM COMPONENTS
- TOURING INSPIRATION
- MAXIMUM CONFIGURABILITY IN STACKING OR HANGING
- IP55 CERTIFICATION
- MAXIMUM RESISTANCE TO WEATHER AGENTS
- AVAILABLE IN BLACK OR WHITE

IS210L is the first IS line array dedicated to installations. Designed with a symmetrical configuration with 2 10" woofers and a 2.4" driver on a waveguide, it is the first complete passive system bringing the capabilities of a high-quality line array to large environments such as arenas, performing arts center, houses of worship, multifunctional venues, clubs.

With a hanging system equipped with hidden and immediate mechanics, the system is easy to configure and has a minimal, elegant, and clean line array design.

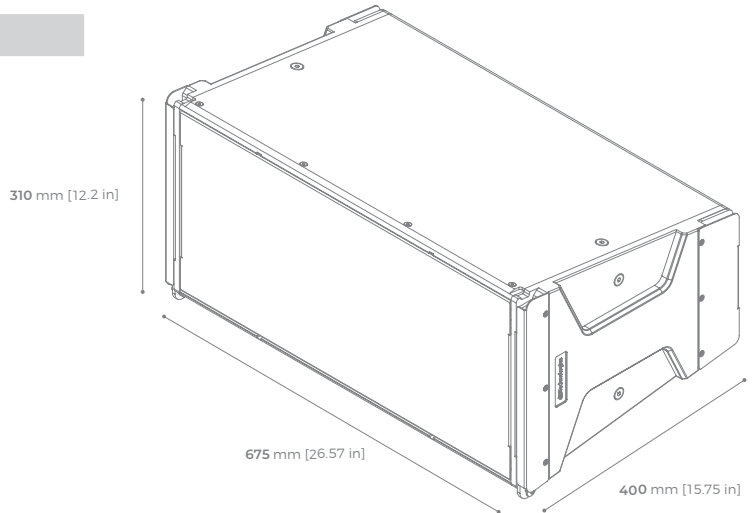
Protected by a IP55 certification, IS210L is perfect for indoor and outdoor contexts. The variety of its connections allows all installers to benefit from maximum versatility and adaptability.

IS210L

Speaker Type	2-way Passive Line array Module
Impedance	8 Ohms
Frequency Response [-6 dB]	65 Hz - 17,500 Hz
Sensitivity 1W@1m	102.4 dB
Max SPL	133 dB
Dispersion	90x15°
HF	1.4" exit, 2.4" v.c.
LF	2x 10", 2.5" v.c.
Power RMS / Peak	400 W / 1600 W
Connections	Screw terminal block (LF+ LF- HF+ HF-)
Housing	Plywood, water-painted coating
IP Rating	IP 55
Rigging points	flyable with bracket
Width	675 mm (26.57 in)
Height	310 mm (12.2 in)
Depth	400 mm (15.75 in)
Weight	29.2 kg (64lbs)

DBTECHNOLOGIES CODE

1030401180 IS210L black
1030401430 IS210L white



ACCESSORIES

DRK-1



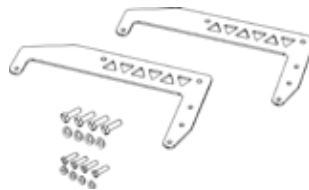
Flybar

DRK-2



Double-hanging flybar

LP-6



Link bracket for IS210L speaker and IS115S subwoofer stack or flown mounting

SP-IS



SpeakON® Panel for IS series speakers

IS115S



KEY FEATURES

- HIGH PROFESSIONAL ACOUSTIC PERFORMANCE
- PREMIUM COMPONENTS
- TOURING INSPIRATION
- MAXIMUM CONFIGURABILITY IN STACKING OR HANGING
- IP55 CERTIFICATION
- MAXIMUM RESISTANCE TO WEATHER CONDITIONS
- AVAILABLE IN BLACK OR WHITE

From the dBTechnologies experience in the world of sound reinforcement, the IS115S subwoofer is born: a perfect extension for the low frequencies of the top-performing speakers in the IS series. Designed for indoor and outdoor applications such as arenas, performing arts center, houses of worship, multifunctional venues, and clubs, the IS115S is a rugged and durable complement, thanks to the IP55 certification.

Extremely versatile with various connection options, this sub can be suspended using dedicated accessories. Combining touring experience with extended flexibility and premium component quality, IS115T is the perfect solution for sound reinforcement in medium and large-sized environments where high-quality acoustic performance is an essential purpose. Available in white or black finish.

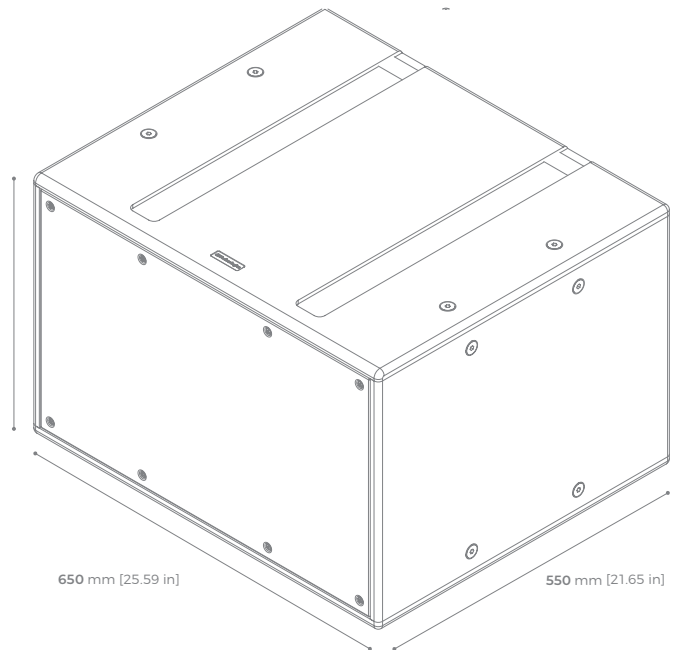
IS115S

Speaker Type	Passive Bass-Reflex Subwoofer
Impedance	8 Ohms
Frequency Response [-6 dB]	42Hz - X-Over
Max SPL	133 dB
LF	1x 15", 4" v.c.
Power RMS / Peak	800 W / 3200 W
Connector Type	Screw terminal block (+ -)
Housing	Plywood, water-painted coating
IP Rating	IP 55
Rigging points	Screw connection
Width	650 mm (25.59 in)
Height	420 mm (16.54 in)
Depth	550 mm (21.65 in)
Weight	27.8 Kg (61 lbs)

DBTECHNOLOGIES CODE

1030401200 IS115S black
103401450 IS115S white

420 mm [16.54 in]



ACCESSORIES

DRK-1



Flybar

DRK-2



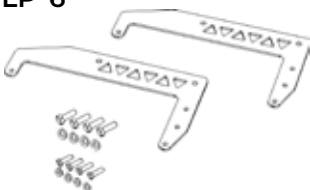
Double-hanging flybar

LP-4



Link Plate for IS115S

LP-6



Link bracket

SP-IS



SpeakON® Panel for IS series speakers

IS118S



KEY FEATURES

- PASSIVE SUBWOOFER DESIGNED FOR INSTALLATIONS
- HIGH-PERFORMANCE PROFESSIONAL ACOUSTICS
- PREMIUM 18" WOOFER WITH 4" VOICE COIL
- IP55 CERTIFICATION
- ACCESSORIES FOR STACKING OR RIGGING INSTALLATION
- AVAILABLE IN BLACK OR WHITE

Born from dBTechnologies' vast expertise in professional sound reinforcement, the IS118S is a powerful low-frequency extension designed for the high-performance speakers in the IS series. Created for both indoor and outdoor installations, such as arenas, theaters, places of worship, multifunctional spaces, and clubs, the IS118S offers exceptional durability and robustness, certified to IP55 standards. Equipped with a premium 18" woofer, the IS118S is highly versatile, with compatibility for various rigging and connection accessories that enable flexible stacking or hanging configurations.

Whether used in a point source speaker configuration as a main system or in a line array, the IS118S stands out for its efficiency and exceptional performance when paired with the IS210 system. Combining a design inspired by touring systems with high-quality components and a weather-resistant enclosure, the IS118S is the ideal solution for medium- to large-sized venues that require high acoustic performance.

This subwoofer system is also available in a white finish.

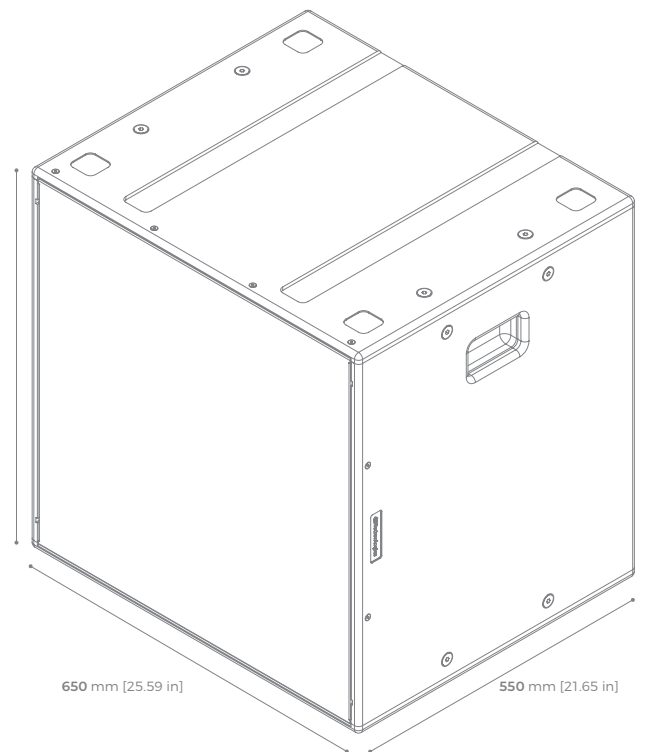
IS118S

Speaker Type	Passive Bass-Reflex Subwoofer
Impedance	8 Ohms
Frequency Response [-6 dB]	41.5Hz - X-Over
Max SPL	136.5 dB
LF	1x 18", 4" v.c.
Power RMS / Peak	1200 W / 4800 W
Connector Type	Screw terminal block (+ -)
Housing	Plywood, water-painted coating
IP Rating	IP 55
Rigging points	Screw connection
Width	650 mm (25.59 in)
Height	650 mm (25.59 in)
Depth	550 mm (21.65 in)
Weight	40,3 kg (88 lbs)

DBTECHNOLOGIES CODE

1030401460 IS115S black

650 mm [25.59 in]



ACCESSORIES

DRK-1



Flybar

DRK-2



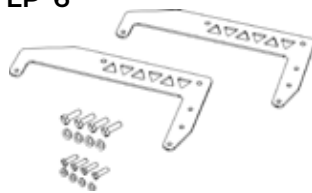
Double-hanging flybar

LP-4



Link Plate for IS118S

LP-6



Link bracket

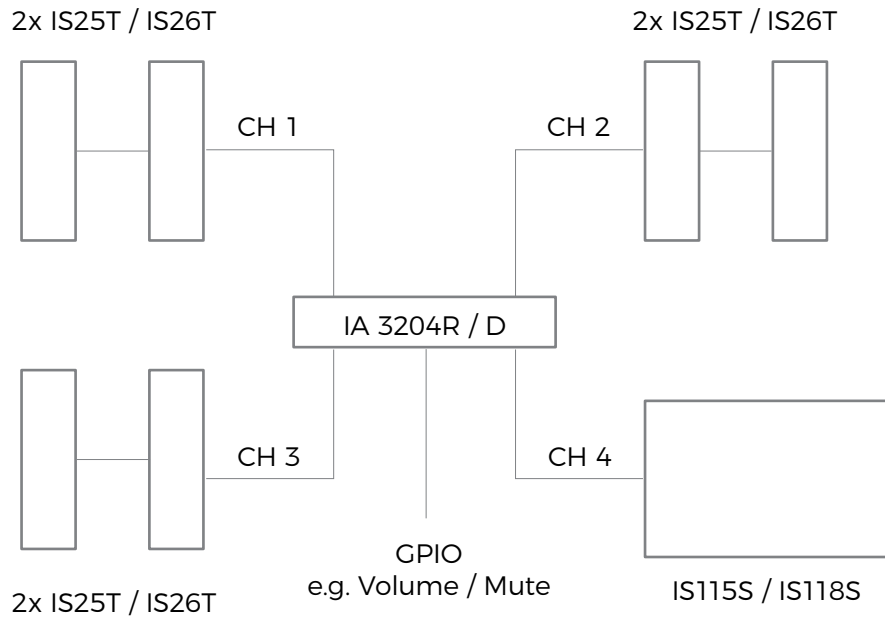
SP-IS



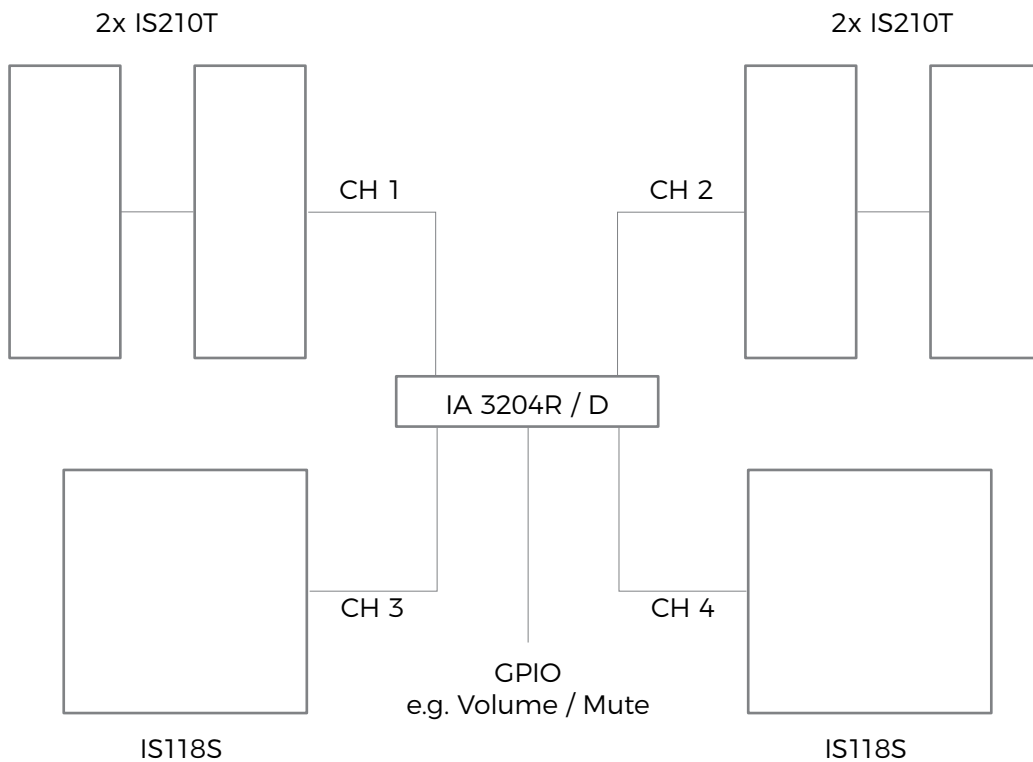
SpeakON® Panel for IS series speakers

EXAMPLES OF INSTALLATION

SPORTS BAR / SMALL CLUB

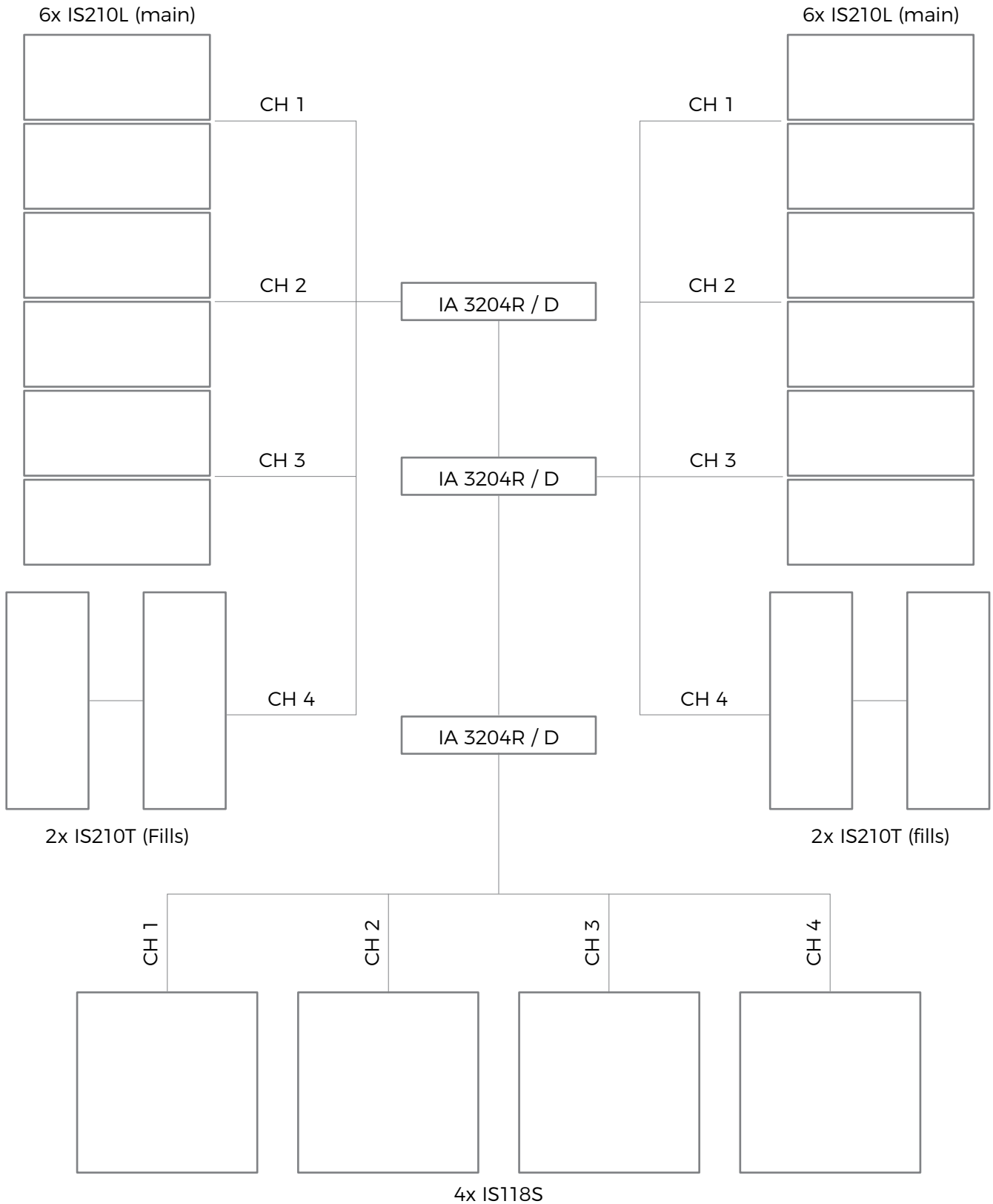


SPORTS & EVENT LOCATION



EXAMPLES OF INSTALLATION

MULTIFUNCTIONAL HALL



VIO SERIES

The VIO Series offers top-tier audio solutions through its active Performance products, specifically designed for permanent installations that demand exceptional acoustic quality and powerful output. These models, including the VIO S115, VIO C12, VIO S15, VIO X206, and VIO X205, provide the robust sound and precision needed for high-energy environments.

Ideal for venues hosting live music, dynamic events, or any setting where immersive, impactful sound is essential, the VIO Series Performance products

guarantee unmatched clarity and strength. With advanced DSP technology and integrated amplifiers, they are easy to install and deliver consistent, premium audio quality even under challenging conditions.

This specialized focus allows users to choose an audio system perfectly suited to their venue's requirements, ensuring an outstanding listening experience for audiences, whether they need powerful, dynamic sound or reliable, high-performance audio for complex installations.



	FORM FACTOR	DRIVER CONFIGURATION	HOUSING	APPLICATION	IP RATING
ACTIVE PERFORMANCE					
VIO C12	Line-source speaker	1x 12" LF, 1x 1.4" HF	Wood	Indoor	-
VIO C15	Line-source speaker	1x 15" LF, 1x 1.4" HF	Wood	Indoor	-
VIO X205	Compact speaker	2x 5" LF, 1x 1" HF	Wood	Indoor	-
VIO X206	Compact speaker	2x 6.5" LF, 1x 1" HF	Wood	Indoor	-
VIO S115	Subwoofer	1x 15" LF	Wood	Indoor	-
VIO S118	Subwoofer	1x 18" LF	Wood	Indoor	-

Notes:
All listed models feature durable wooden housings optimized for superior acoustic performance. These speakers are primarily designed for indoor use. For more information on the VIO Series contact us or go to www.dbtechnologies.com.

VIO C12

KEY FEATURES

- 2-WAY ACTIVE LINE-SOURCE SPEAKERS
- HORIZONTAL SCALABLE LINE SOURCE CLUSTER OR VERTICAL CONSTANT CURVATURE ARRAY
- EXCLUSIVELY DESIGNED WAVEGUIDE FOR MAXIMUM HF DIRECTIVITY CONTROL
- NEODYMIUM COMPONENTS
- 1600W RMS DIGIPRO® G4 AMP TECHNOLOGY
- FULL RANGE SMPS WITH PFC
- FULLY NETWORKABLE VIA AURORA NET

The VIO C12 sets a new standard for flexibility and performance in compact line-source solutions, making it an ideal choice for installations in arenas, theaters, houses of worship, multipurpose venues, and clubs.

Equipped with a 12" neodymium woofer (3.5" voice coil) and a 1.4" HF driver (3" voice coil), the VIO C12 delivers precise and powerful sound with an impressive 139 dB SPL. Powered by a state-of-the-art 1600 W RMS Class D Digipro G4 amplifier and advanced DSP, it ensures consistent and high-quality acoustic performance for every application.

The enclosure features a custom-designed waveguide and an asymmetrical horn, providing

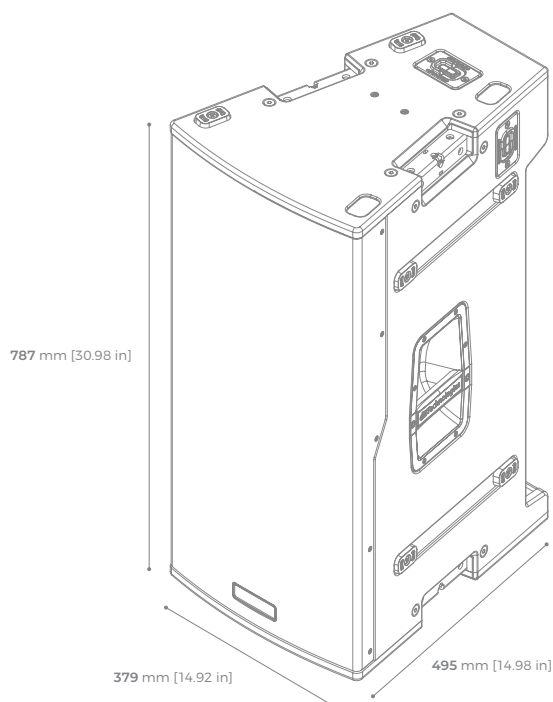


a horizontal coverage angle of 22.5° per cabinet. Scalable configurations allow users to achieve 90° dispersion with four cabinets, and up to 360° coverage with 16 cabinets, making the VIO C12 adaptable to any venue size or layout. Infrared communication ports automatically align and optimize system processing for both horizontal and vertical configurations.

Built for durability, the plywood cabinet with a black polyurea finish is designed to withstand rigorous use and includes an IP-rated rain cover, ensuring reliability in outdoor and indoor environments. The LP-1 link plug and DRK-C fly-bar enable quick and secure assembly for flown or ground-stacked setups.

VIO C12

Speaker Type	2-Way Active Cluster Loudspeaker
Frequency Response [-6 dB]	55Hz - 18.000Hz
Max SPL	139 dB
HF	1x 1.4", 3" v.c. - Neodymium
LF	1x 12", 3.5" - Neodymium
Horizontal Directivity	22.5°
Vertical Directivity	55° (+20 / -35°)
Amplifier	1600 W RMS Class-D Digipro® G4
Cooling	Convection, Internal fan
Power Supply	Full-range SMPS with PFC
Controller	DSP 32bit
Processing (filters)	FIR Linear Phase
Housing	Multiplex Plywood, Polyurea Painting
Rigging points	Corner Quick Link
Width	379 mm (14.92 in)
Height	787 mm (30.98 in)
Depth	495 mm (19.48 in)
Weight	31.8 kg (70.1 lbs)



DBTECHNOLOGIES CODE

103010300 VIO C12 black

ACCESSORIES

ACU-1



A2Net Card

DCU-1



Dante® Card

DRK-C



Flybar for up VIO C

DRK-CCA



Flybar for up to 4 VIO C12 or 4 VIO C15 in vertical array configuration

DRKL-3



Link for DRK-C flying 3 VIO C speakers or 2 rows of 3 VIO C speakers in horizontal array

DRKL-4



Link for DRK-C flying 4 VIO C speakers or 2 rows of 4 VIO C speakers in horizontal array

LP-1



Link plug for VIO C series

RC-VIOC



Rain Cover

TC-VIOC12



Transport cover for VIO C12

VIO C15

KEY FEATURES

- 2-WAY ACTIVE LINE-SOURCE SPEAKERS
- HORIZONTAL SCALABLE LINE SOURCE CLUSTER OR VERTICAL CONSTANT CURVATURE ARRAY
- EXCLUSIVELY DESIGNED WAVEGUIDE FOR MAXIMUM HF DIRECTIVITY CONTROL
- NEODYMIUM COMPONENTS
- 1600W RMS DIGIPRO® G4 AMP TECHNOLOGY
- FULL RANGE SMPS WITH PFC
- FULLY NETWORKABLE VIA AURORA NET

The VIO C15 is a high-performance line-source system tailored for professional audio installations in arenas, theaters, houses of worship, and multifunctional venues.

Featuring a 15" neodymium woofer and a 1.4" HF driver, the VIO C15 delivers powerful, precise sound with an impressive 140 dB SPL, driven by a 1600 W RMS Digipro G4 amplifier and advanced DSP. Its 22.5° horizontal coverage and modular design enable scalable configurations, from compact clusters to 360° horizontal coverage with up to 16 cabinets. Infrared communication ports ensure automatic alignment and processing for horizontal or vertical setups.



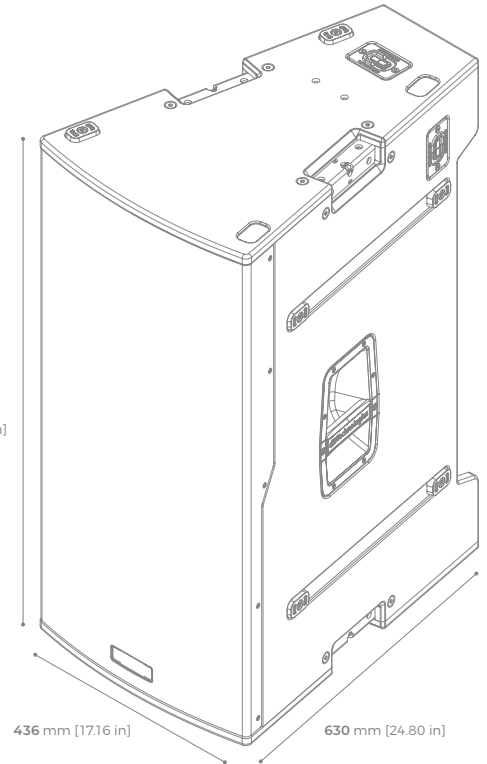
Designed for easy integration, the VIO C15 includes essential installation accessories like the LP-1 link plug for quick connection and the DRK-C fly bar for flown setups. Additional options, such as the DRKL-3 and DRKL-4 extensions, simplify multi-cabinet installations, while an IP-rated rain cover ensures reliability in outdoor environments.

With RNet control and optional Audinate Dante upgrade, the VIO C15 combines superior sound quality, flexible rigging options, and future-proof connectivity, making it the perfect choice for demanding fixed installations.

VIO C15

Speaker Type	2-Way Active Cluster Loudspeaker
Frequency Response [-6 dB]	46Hz - 18.000Hz
Max SPL	140 dB
HF	1x 1.4", 3" v.c. - Neodymium
LF	1x 15", 3.5" - Neodymium
Horizontal Directivity	22.5°
Vertical Directivity	45° (+15 / -30°)
Amplifier	1600 W RMS Class-D Digipro ® G4
Cooling	Convection, Internal fan
Power Supply	Full-range SMPS with PFC
Controller	DSP 32bit
Processing (filters)	FIR Linear Phase
Housing	Multiplex Plywood, Polyurea Painting
Rigging points	Corner Quick Link
Width	436 mm (17.16 in)
Height	892 mm (35.11 in)
Depth	630 mm (24.80 in)
Weight	40.6kg (89.5lbs)

892 mm [35.11 in]



436 mm [17.16 in]

630 mm [24.80 in]

DBTECHNOLOGIES CODE

103010310 VIO C15 black

ACCESSORIES

ACU-1



A2Net Card

DCU-1



Dante® Card

DRK-C



Flybar for up VIO C

DRK-CCA



Flybar for up to 4 VIO C12 or 4 VIO C15 in vertical array configuration

DRKL-3



Link for DRK-C flying 3 VIO C speakers or 2 rows of 3 VIO C speakers in horizontal array

DRKL-4



Link for DRK-C flying 4 VIO C speakers or 2 rows of 4 VIO C speakers in horizontal array

LP-1



Link plug for VIO C series

RC-VIOC



Rain Cover

TC-VIOC12



Transport cover for VIO C15

VIO X205



KEY FEATURES

- 2-WAY ACTIVE LOUDSPEAKER
- COMPACT DESIGN
- 400W RMS CLASS D AMPLIFIER
- CHOICE OF DISPERSION PATTERNS:
60°x60° OR 100°x100° COVERAGE
- NEODYMIUM COMPONENTS
- ADVANCED DSP
- FULLY NETWORKABLE VIA AURORA NET
- DURABLE WOODEN ENCLOSURE
- MULTIPLE MOUNTING OPTIONS

The VIO X205 is a compact and versatile speaker system designed for professional fixed installations in theaters, conference halls, houses of worship, and multifunctional venues.

Equipped with two 5" neodymium woofers and a 1" HF compression driver, the VIO X205 delivers precise sound reproduction with a maximum 123 dB SPL, ensuring clarity and consistency even in demanding applications. Powered by a 400 W RMS Class D amplifier, it provides reliable performance in a compact form factor.

Available in two coverage options - 60° x 60° or 100° x 100° - the VIO X205 adapts easily to various installation requirements, whether for nearfield

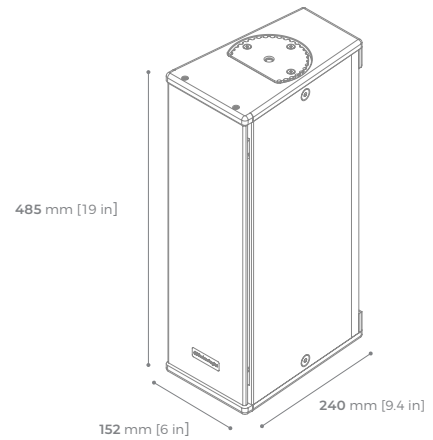
use, delay lines, or distributed sound systems.

The VIO X205 includes a range of mounting options for seamless integration: a U-bracket for wall or ceiling mounting, an M10 rigging point for hanging, and an optional pole mount adapter for additional flexibility. Built-in RDNet compatibility allows remote control and monitoring via Aurora Net software, ensuring precise system management.

With its compact design, flexible mounting options, and advanced control features, the VIO X205 is the perfect solution for professional audio installations requiring high-quality performance in a discreet, easy-to-install package.

VIO X205

Speaker Type	2-Way Active Loudspeaker
Frequency Response [-6 dB]	80Hz - 20.000Hz
Max SPL	126 dB
HF	1x 1", 1.4" v.c.
LF	2x 5", 1" v.c.
VIO X 205-60 Directivity	60° x 60°
VIO X 205-100 Directivity	100° x 100°
Amplifier	400 W RMS Class-D Digipro® G3
Cooling	Convection
Power Supply	Auto-range SMPS
Controller	DSP 24bit
Processing (filters)	FIR Linear Phase
Housing	Wooden Cabinet, Polyurea Painting
Rigging points	2x M10 Threaded Nuts (top and bottom)
Width	150 mm (5.9 in)
Height	485 mm (19 in)
Depth	240 mm (9.4 in)
Weight	7.8 kg (17.2 lbs)



DBTECHNOLOGIES CODE

103010330 VIO X205-60
103010340 VIO X205-100

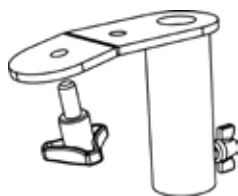
ACCESSORIES

FC-VIOX205



Functional cover for VIO X205

SA-VIOX205



Speaker stand adapter for VIO X205

WB-VIOX205H



Horizontal bracket for VIO X205

WB-VIOX205V



Vertical bracket for VIO X205

VIO X206

KEY FEATURES

- ACTIVE 2-WAY SPEAKER
- 900 W RMS
- LF 2x 6.5" NEO - HF 1x 1"
- 90°x60° COVERAGE VERSION
- ARRAYABLE VERSION WITH WAVEGUIDE (100°x15°)
- MAXIMUM VERSATILITY IN TOUR GRADE APPLICATIONS OR FIXED INSTALLATIONS



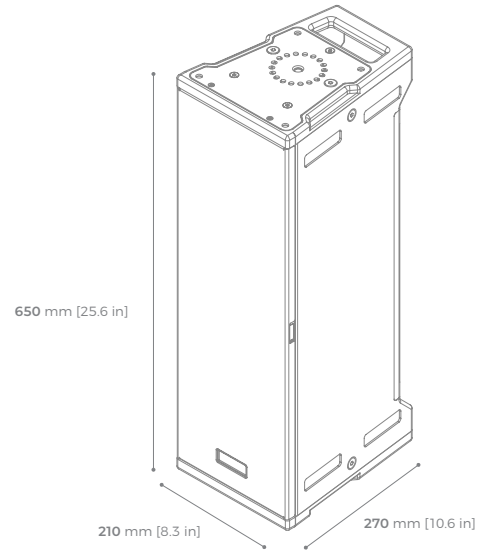
The VIO X206 has been designed in two different versions, one model mounts a 90° by 60° rotatable horn. The other one is equipped with a two-path waveguide conveying a 100° by 15° dispersion, so perfect for line array applications. The real gem here is that users can remove and exchange horns at any time, based on their requirements. The firmware to adapt the behaviour of the 2 horns can be changed accordingly with the quick switch on the back of the box.

VIO X206 is equipped with two 6.5" neodymium transducers and a 1" driver, powered by a 900W RMS Digipro G3 amp. Nevertheless, just like all companion cabinets in VIO X series, the cabinet allows for complete networkability thanks to RDNet and real time monitoring and control via Aurora Net. Thanks to the two variants it covers a wide range of applications, meeting the requirements of both production and integration. This sleek, slim cabinet can easily fit onto a live stage, a corporate event facility, as well as a meeting room or a bar.

A series of accessories helps you to create the best configuration for the venue. Several brackets adapt X206 on a speaker stand (VB-2X6, SA-2X6), one of them also allows it to be flown with a C clamp (VB-2X6). A simple link plate (LP-2) is available to pair or array them. It is also possible to use 2 of the 90x60° version both flown or ground stacked with a 60° spread bracket (LP-3). An extra 60° spread bracket allows for flying or polemounting of up to 6 90x60° boxes side by side, with a steady angle. A U shaped bracket (HB-2X6) allows for various configurations such as wall mounting or truss mounting. The same accessory also serves as horizontal pole mount for a 90x60° X206 or multiple line array versions of X206. If you need to stash a frontfill, or if you plan to ground stack several line arrays directly on a sub, this will be a safe and reliable solution to secure the load with the M20 threaded mount. Finally two flybars are available, a standard one for a single array (DRK-1) and a multiple one (DRK-2) that allows to fly 2 arrays of tops or subs, or even X206 and VIO S115 subs together.

VIO X206

Speaker Type	2-Way Active Loudspeaker
Frequency Response [-6 dB]	70 - 18.000 Hz / 70 - 17.500 Hz [VIO X206-100]
Max SPL	131 dB
HF	1x 1", 1.75" v.c.
LF	2x 6.5", 1.75" v.c.
VIO X 206 Directivity	60° x 90° [rotatable]
VIO X 206-100 Directivity	100° x 15° [H x V]
Amplifier	900 W RMS Class-D Digipro ® G3
Cooling	Convection
Power Supply	Auto-range SMPS
Controller	DSP 32bit
Processing (filters)	FIR Linear Phase
Housing	Wooden Cabinet, Polyurea Painting
Rigging points	2x M10 Threaded Nuts (top and bottom)
Width	210 mm (8.3 in)
Height	650 mm (25.6 in)
Depth	270 mm (10.6 in)
Weight	17.3 kg (38.14 lbs)



DBTECHNOLOGIES CODE

1030103970 VIO X206 -60x90
1030104010 VIO X206 100x15

ACCESSORIES

DRK-1



Flybar

DRK-2



Double-hanging flybar

FC-206



Functional Cover

HB-2X6



Horizontal Bracket for VIO X206

HK-15100WG



Waveguide kit for VIO X206

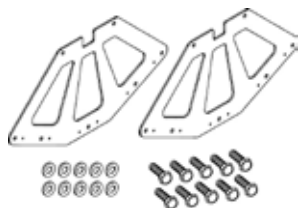
HK-6090



60x90° horn kit

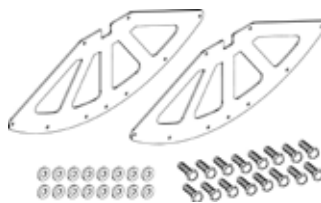
VIO X206

LP-13



Link brackets for ceiling installation

LP-16



Link brackets for ceiling installation

LP-2



Link plate for VIO X206

LP-3



60° Link Plate

LP-5



Link plate for VIO X206 and VIO S115

RC-1



Rain Cover

SA-2X6



Speaker Stand Adapter

SA-35



D35mm-pole adapter for HB-2X6

SB-2X6



Rigging Bar

TB-M20



Threaded M20 bolt

VB-2X6



Vertical Bracket

VIO S115



KEY FEATURES

- 1X15" ACTIVE SUBWOOFER
- COMPACT AND POWERFUL DESIGN
- 1600W RMS CLASS D AMPLIFIER
- HIGH-PRECISION 56-BIT DSP
- SEAMLESS INTEGRATION WITH VIO SYSTEMS
- FULLY NETWORKABLE VIA RDNET
- RUGGED MULTIPLEX WOODEN ENCLOSURE
- EASY STACKING AND DEPLOYMENT OPTIONS
- OPTIMIZED FOR TOURING AND INSTALLATION

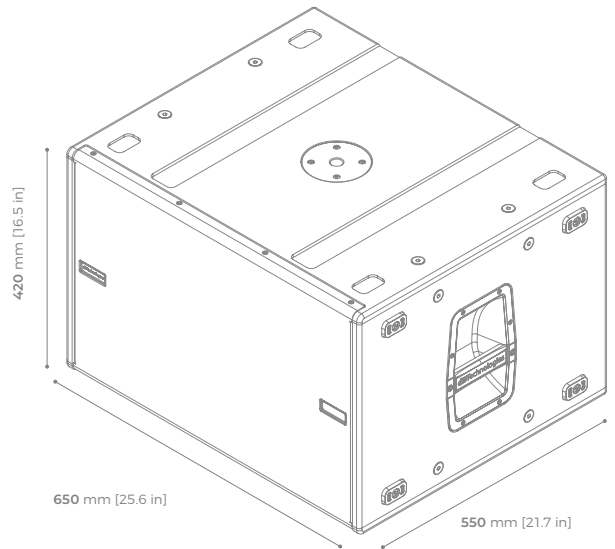
VIO S115 is a self-powered, flyable, single 15" subwoofer, with a standard frontal bass reflex acoustic configuration. It is definitely inspired by dBTechnologies popular VIO S118R subwoofer, with the advantages of being flyable.

This is the most compact VIO sub, just perfect as a complement for all VIO X full range series. The system is loaded with a 15" neodymium woofer, driven by a 900 W RMS Digipro G3 amp, which allows for complete networkability with all other speakers in VIO family. The cabinet is provided with

M10 flying points and M20 pole mounts on both top and side of the box, so the sub allows for horizontal or vertical use, when flown or ground stacked. Two different flybars and sub brackets open for tons of possible configurations with VIO X206 boxes when in line array mode, a single flybar allowing for a simple set up, and a double flybar, which allows to fly multiple sub arrays and top arrays together, and many more configurations that will suit any installation requirements.

VIO S115

Speaker Type	Active Bassreflex Subwoofer
Frequency Response [-6 dB]	40 Hz - (user frequency LPF) 36 Hz - (user frequency LPF)
Max SPL	134 dB
LF	1x 15"
Voice Coil LF	4"
Directivity	Omnidirectional
Amplifier	900 W RMS Class-D Digipro® G3
Cooling	Convection
Controller	DSP 32bit
Rigging points	16x M10 Threaded Nuts
Width	650 mm (25.6 in)
Height	420 mm (16.5 in)
Depth	550 mm (21.7 in)
Weight	32.8 kg (72.3 lbs)



DBTECHNOLOGIES CODE

1030103980 VIO S115 black

ACCESSORIES

DRK-1



Flybar

DRK-2



Double-hanging flybar

LP-4



Link plate for VIO S115

LP-5



Link plate for VIO X206 and VIO S115

RC-1



Rain Cover

TB-M20



Threaded M20 bolt

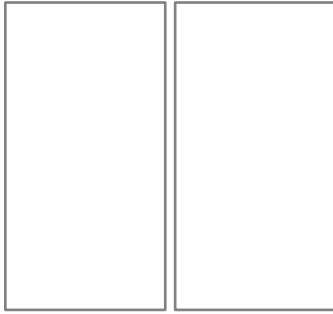
TC-S115



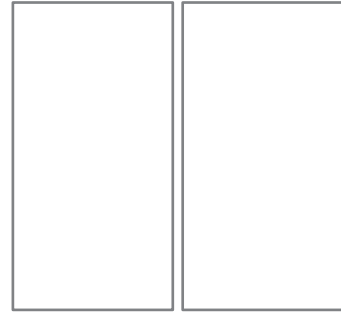
Transport Cover

EXAMPLES OF INSTALLATION

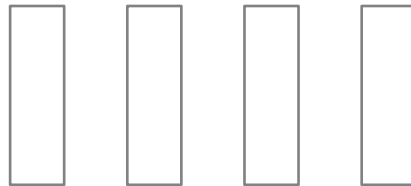
CITY HALL



2x VIO C15 with DRK-C



2x VIO C15 with DRK-C



4x VIO X205 (fills)

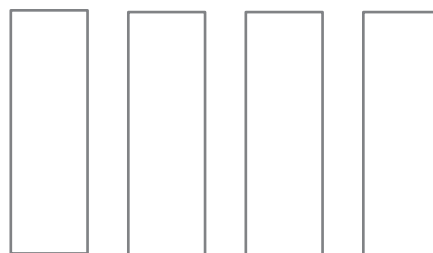
WIDE CITY HALL



3x C12 with DRK-C
and DRKL-3



3x C12 with DRK-C
and DRKL-3



4x VIO X206 (fills)

ELECTRONICS & SOFTWARE

The dBTechnologies amplifier and controller lineup offers cutting-edge solutions tailored for professional audio installations, ensuring unparalleled performance, flexibility, and reliability. Designed with the needs of permanent installations in mind, these products provide the precise control and robust power required for demanding acoustic environments.

The range includes high-performance amplifiers equipped with state-of-the-art DSP technology, delivering outstanding clarity, efficiency, and thermal stability. These amplifiers are optimized to power complex sound systems, ensuring consistent and premium audio performance even in challenging conditions.

Complementing the amplifiers, the AC26 digital controller provides advanced signal processing and system management capabilities. With its intuitive interface, extensive EQ options, and precise crossover and delay settings, the AC26 allows integrators to fine-tune sound systems to perfection. Its seamless compatibility with other dBTechnologies products ensures an integrated solution for dynamic venues, from theaters and conference centers to houses of worship and live event spaces.

Adding to the system's versatility is the AuroraNet software, an intuitive platform designed for seamless management of all dBTechnologies networkable devices. AuroraNet enables users to monitor, control, and configure amplifiers and controllers in real-time, providing detailed insights into system performance. The software's user-friendly interface ensures effortless navigation, whether adjusting EQ parameters, monitoring signal flow, or setting delay configurations. AuroraNet ensures that even the most complex setups are streamlined and manageable.

Whether your project requires scalable amplification for large setups, precise control for acoustically complex environments, or advanced network management, dBTechnologies amplifiers, controllers, and AuroraNet offer a complete solution. Together, they empower system designers and installers to create sound systems that deliver a truly exceptional listening experience.

Whether your project requires scalable amplification for large setups or precise control for acoustically complex environments, dBTechnologies amplifiers and controllers offer a complete solution. Together, they empower system designers and installers to create sound systems that deliver a truly exceptional listening experience.

IA504R

IA504D



KEY FEATURES

- HALF-RACK SIZED CLASS-D AMPLIFIER
- 4 X 125W @ 4 OHMS OUTPUT
- SUPPORTS CONSTANT VOLTAGE (70V/100V) AND LOW-Z APPLICATIONS
- STEREO AND BRIDGE CONFIGURATION OPTIONS
- INTEGRATED DSP FOR PRECISE AUDIO CONTROL
- FULL-RANGE PSU WITH POWER FACTOR CORRECTION
- GPIO INTERFACE FOR ENHANCED CONNECTIVITY
- AVAILABLE IN TWO VERSIONS: RDNET (IA504R) OR DANTE (IA504D)
- REMOTE CONTROL AND MONITORING CAPABILITIES

The IA 504 is a half-rack-sized Class-D amplifier designed for maximum flexibility in professional installations. It supports both constant voltage systems (70V/100V) and low-impedance applications, delivering 4 x 125W at 4 Ohms. With support for stereo and bridge configurations, the amplifier is suitable for a wide range of audio applications.

Two versions are available, both featuring an integrated DSP, a full-range PSU with power factor correction, and a GPIO interface. The difference

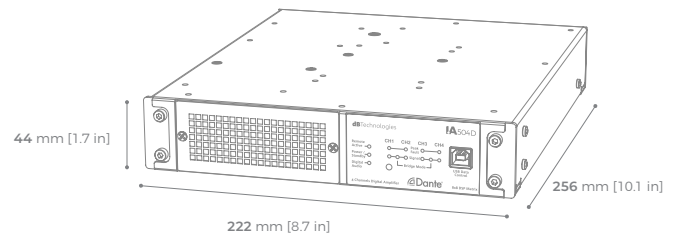
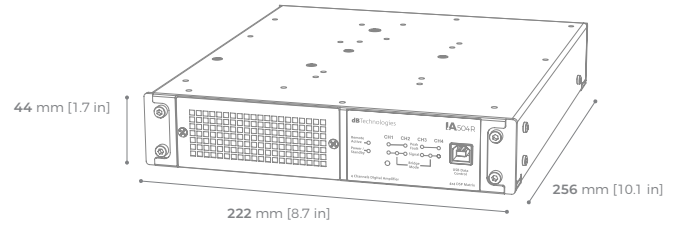
lies in their networking capabilities:

- The IA504R includes RDNNet ports for remote control and real-time monitoring.
- The IA504D offers Dante connectivity, adding digital audio inputs alongside remote management functionality.

With its compact design and exceptional versatility, the IA 504 is the perfect solution for demanding audio installations in theaters, conference rooms, houses of worship, or event venues.

IA 504R / IA 504D

Type	CLASS D Half-rack Amplifier
Single channel mode	4 Ohm / 8 Ohm / 16 Ohm (70V / 100V)
Bridged mode	8 Ohm / 16 Ohm
Preset	Flat, dBTechnologies speaker, User preset
Input Impedance	20 kOhm balanced
Frequency Response	20 - 20.000 Hz
Total rated power	280 W RMS @ 230Vac / 250 W RMS @ 120Vac
Single channel driven	4 Ohm: 425W Peak / 280W RMS 8 Ohm: 245W Peak / 245W RMS 16 Ohm: 135W Peak / 135W RMS 8 Ohm (Bridge): 619W Peak / 280W RMS 70V: 250W RMS 100V: 240W RMS
All channels driven	4 Ohm: 225W Peak / 70w RMS 8 Ohm: 180W Peak / 70 W RMS 16 Ohm: 125W Peak / 70W RMS 8 Ohm (Bridge): 440W Peak / 140W RMS 70V: 140W RMS 100V: 140W RMS
Mains connections	IEC 10A connector
PFC	Yes
Nominal Voltage	115Vac - 240Vac @50/60Hz
Operating Voltage	90Vac - 264Vac @50/60Hz
AD	24 Bit @48kHz
DA	24 Bit @48kHz
Limiters	Compressor on processing channels Peak limiter on output channel (also used in dBTechnologies preset)
Input Channel	4 Analog Balanced (EuroBlock 3.81mm) 4 Dante Channels - IA504D
Output Channel	4 (EuroBlock 5.08mm)
Service Data	Frontal USB (AuroraNet setup & control)
Networking	2 x RJ45 RDNet (AuroraNet setup & control) - IA504R 2 x RJ45 Ethernet (Dante primary/secondary, AuroraNet setup & control) - IA504D
Width	222 mm (8.7 in)
Height	44 mm (1.7 in)
Depth	256 mm (10.1 in)
Weight	1.82 kg (4.01 lbs)



DBTECHNOLOGIES CODE

1030500270 IA504R
1030500280 IA504D

ACCESSORIES

RMK-1



Rack and surface mount kit

IA3204R

IA3204D



KEY FEATURES

- 4-CHANNEL CLASS-D AMPLIFIER
- 4x 800W @ 4 OHMS OUTPUT
- SUPPORTS CONSTANT VOLTAGE (70V/100V) AND LOW-Z APPLICATIONS
- STEREO AND BRIDGE CONFIGURATION OPTIONS
- INTEGRATED DSP FOR ADVANCED AUDIO MANAGEMENT
- FULL-RANGE PSU WITH POWER FACTOR CORRECTION
- GPIO INTERFACE FOR FLEXIBLE SYSTEM INTEGRATION
- AVAILABLE IN TWO VERSIONS: RDNET (IA3204R) OR DANTE (IA3204D)
- COMPACT 1U RACK DESIGN FOR EASY INSTALLATION

The IA3204 is a compact, high-performance Class-D amplifier designed to deliver exceptional power and versatility for professional audio installations. It supports both constant voltage systems (70V/100V) and low-impedance applications, providing an impressive output of 4 x 800W at 4 Ohms. With support for stereo and bridge configurations, the amplifier adapts effortlessly to diverse audio requirements. Two versions are available, both equipped with an integrated DSP, a full-range PSU with power factor correction, and a GPIO interface. The difference lies in their networking capabilities:

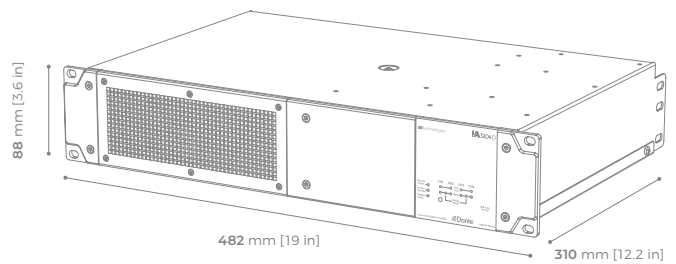
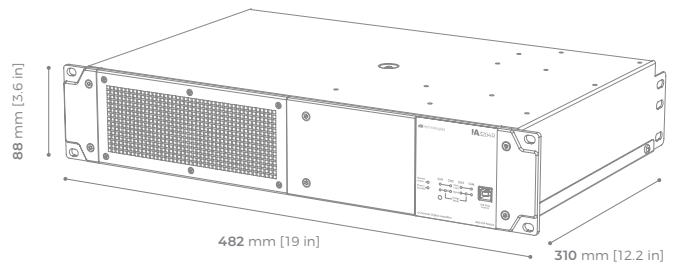
- The IA3204R features RDNNet ports, enabling remote control and real-time monitoring of the amplifier.

- The IA3204D includes Dante connectivity, offering digital audio inputs along with comprehensive remote management functionality.

With its powerful performance, networking flexibility, and robust design, the IA3204 is the ideal choice for demanding audio installations in theaters, conference rooms, houses of worship, or large event venues, ensuring consistent and reliable audio performance.

IA 3204R / IA 3204D

Type	CLASS D 2 Unit Rack Amplifier
Single channel mode	4 Ohm / 8 Ohm / 16 Ohm (70V / 100V)
Bridged mode	8 Ohm / 16 Ohm
Preset	Flat, dBTechnologies speaker, User preset
Input Impedance	20 kOhm balanced
Frequency Response	20 - 20.000 Hz
Total rated power	3200 W RMS @ 230Vac / 120Vac
All channels driven	4 Ohm: 1600W Peak / 800W RMS
	8 Ohm: 800W Peak / 400W RMS
	16 Ohm: 400W Peak / 200W RMS
	8 Ohm (Bridge): 3000W Peak / 1500W RMS
	70V: 1500W RMS
	100V: 1500W RMS
Mains connections	IEC 10A connector
PFC	Yes
Nominal Voltage	115Vac - 240Vac @50/60Hz
Operating Voltage	90Vac - 264Vac @50/60Hz
AD	24 Bit @48kHz
DA	24 Bit @48kHz
Limiters	Compressor on processing channels
	Peak limiter on output channel (also used in dBTechnologies preset)
Input Channel	4 Analog Balanced (EuroBlock 3.81mm) 4 Dante Channels - IA3204D
Output Channel	4 (EuroBlock 5.08mm)
Service Data	Frontal USB (AuroraNet setup & control)
Networking	2 x RJ45 RDNet (AuroraNet setup & control) - IA3204R 2 x RJ45 Ethernet (Dante primary/secondary, AuroraNet setup & control) - IA3204D
Width	482 mm (19 in)
Height	88 mm (3.6 in)
Depth	310 mm (12.2 in)
Weight	8,3 kg (18.3 lbs)



DBTECHNOLOGIES CODE

1030500290 IA3204R
1030500300 IA3204D

CONTROL2



KEY FEATURES

- 2-IN / 2-OUT DSP CONTROLLER
- HIGH-QUALITY 24-BIT / 48 KHZ AUDIO PROCESSING
- ADVANCED EQ, CROSSOVER, LIMITER, AND DELAY FUNCTIONS
- USER-FRIENDLY INTERFACE FOR EASY CONFIGURATION
- PRESETS FOR QUICK AND OPTIMIZED SYSTEM SETUP
- USB CONNECTION FOR SOFTWARE UPDATES AND CONTROL
- COMPACT AND PORTABLE DESIGN FOR FLEXIBLE INSTALLATION
- IDEAL FOR SMALL TO MEDIUM AUDIO SYSTEMS

The Control 2 is a high-performance DSP controller designed to provide precise audio management for small to medium installations. Its 2-input, 2-output design ensures compact and reliable operation, making it ideal for setups where space is limited.

With 24-bit / 48 kHz signal processing, the Control 2 delivers exceptional sound quality and flexibility for tailored system configurations. Its user-friendly interface and USB connection for software updates

make it easy to operate and adapt to changing requirements.

The Control 2 includes advanced features such as EQ, crossover, limiter, and delay functions, as well as preloaded presets that simplify system configuration. Whether used in a conference room, small venue, or other professional setting, the Control 2 ensures accurate and efficient audio processing.

CONTROL8



KEY FEATURES

- 8-IN / 8-OUT DSP CONTROLLER
- HIGH-PRECISION 24-BIT / 48 KHZ SIGNAL PROCESSING
- NETWORK CONNECTIVITY FOR REMOTE CONTROL AND MONITORING
- ADVANCED EQ, CROSSOVER, LIMITER, AND DELAY FUNCTIONS
- PRESETS FOR COMPLEX SYSTEM CONFIGURATIONS
- USER-FRIENDLY INTERFACE FOR INTUITIVE OPERATION
- ROBUST DESIGN SUITABLE FOR RACK MOUNTING
- IDEAL FOR LARGE AND MULTI-ZONE AUDIO SYSTEMS

The Control 8 is a professional-grade DSP controller designed to provide advanced audio management for large and multi-zone installations. With its 8-input, 8-output configuration, it delivers the flexibility and control required for complex audio setups.

Featuring 24-bit / 48 kHz signal processing, the Control 8 ensures high-quality audio performance, allowing for precise tailoring of system configurations. Its network connectivity enables remote control and monitoring, making it ideal for

venues that require dynamic audio management across multiple zones.

The Control 8 comes equipped with features such as advanced EQ, crossover, limiter, and delay functions, along with preloaded presets that streamline setup and operation. Its user-friendly interface and rack-mountable design make it a reliable and efficient solution for demanding professional applications, including theaters, conference centers, and large event venues.

CONTROL24A



KEY FEATURES

- MASTER CONTROL INTERFACE FOR A2NET NETWORKS
- 4-CHANNEL ANALOG AUDIO INPUTS OR 2-CHANNEL AES/EBU INPUTS (AUTOMATIC DETECTION)
- COMPATIBLE FOR RDNET CONTROL OF NON-A2NET PRODUCTS
- CONTROLS UP TO 64 SPEAKERS WITH ACU-1 CARDS
- COMPACT ½ RACK 19" DESIGN (44 MM x 220 MM x 167 MM)

The Control 24A is the first dbTechnologies controller native to A2NET networks. The unit allows the use of the RDNET network and the transmission of digital audio over the same cable. The new A2NET protocol combines the power of the RDNET control network with the transmission of up to 4 channels of digital audio over the same CAT-5 cable, simplifying speaker cabling. The Control24A integrates into the AURORA NET ecosystem, and each unit can manage up to 64 speakers with A2NET cards.

Connection to the control interface (Mac or Windows) is possible via USB C or TCP/IP network through the Etherconn connector.

On the rear panel, there are 4 XLR connectors that can be used as 4 analog audio inputs or 4 AES/EBU audio inputs. A second unit can be linked through the XLR outputs for AES/EBU digital audio. Equipped with 2 CAT-5 outputs using the A2NET protocol. Control24A is also equipped with power redundancy.

The 1.54" e-paper display provides access to essential unit information such as IP address, the number of connected speakers, and unit status. Even without power, configuration information for the TCP/IP control network remains visible.

AC26N



KEY FEATURES

- 2-IN / 6-OUT DSP CONTROLLER
- HIGH-PRECISION 24-BIT / 96 KHZ SIGNAL PROCESSING
- ADVANCED EQ, CROSSOVER, LIMITER, AND DELAY FUNCTIONS
- FULLY NETWORKABLE VIA RDNET FOR REMOTE CONTROL AND MONITORING
- USER-FRIENDLY INTERFACE WITH EASY CONFIGURATION
- PRESETS FOR QUICK AND OPTIMIZED SYSTEM SETUP
- USB AND NETWORK PORTS FOR SOFTWARE UPDATES AND CONTROL
- COMPACT DESIGN SUITABLE FOR RACK MOUNTING

The AC26N is a powerful and compact DSP controller designed for professional audio installations that demand precision and flexibility. With its 2-input, 6-output configuration, it offers advanced 24-bit / 96 kHz signal processing for exceptional audio clarity and control.

Equipped with features such as EQ, crossover, limiter, and delay functions, the AC26N ensures optimal system tuning and performance. Preloaded presets simplify configuration, making it an excellent choice for small to medium-sized installations.

Thanks to RDNet connectivity, the AC26N enables remote control and monitoring, providing flexibility and ease of use in dynamic environments. Its USB and network ports allow for seamless software updates and system integration.

With its compact, rack-mountable design and robust construction, the AC26N is ideal for venues like theaters, conference rooms, and houses of worship, delivering reliable and professional audio management.

AURORA NET



Aurora Net allows a complete real time monitoring and control of dBTechnologies' RDNETable sound reinforcement systems at a glance.

Cross-platform developed (Win, Mac OSX) by dBTechnologies Software Department in order to guarantee maximum reliability, Aurora Net is more than an evolution of previous dBTechnologies Network.

Working via Ethernet cable (or alternatively via XLR) the software allows both an advanced, completely customizable DSP control and DIGITAL Audio management (via Dante™ protocol) on the same cable.

The intuitive layout has been designed for maximum usability and allows a touch-oriented management on portable devices, and, last but not least, allows a smooth and intuitive workflow.

The workspace is designed to show all the main functions at a glance, and allows users to operate through a single-click workflow.

Users can check the complete PA system in use at a glance or manage each single element thanks to a fast and detailed zoom-in/zoom out incremental display feature.

Release 2.0 Features:

LOGIC ID: Ensures the unique identification of each speaker, facilitating system recognition during matching.

BRAND NEW FILTER LIBRARY: Improved algorithms and filter functions through existing filters such as: PEQ, Shelving, Linkwitz Riley. Introduction of the brand new QBell and All Pass Filters.

PHASE VISUALIZATION: Phase visualization available in the group section.

NFCTM ITEM POSITIONING: Automatic recognition of physical speaker positioning (requires latest firmware upgrade, Installer 1.5).

ENHANCED PERFORMANCES: General performances stabilization and Arc Function improvement.

SERVICES

KEY FEATURES

- TAILORED PROJECT SUPPORT FOR UNIQUE VENUE REQUIREMENTS
- ADVANCED ACOUSTIC ANALYSIS USING EASE® AND EASE FOCUS® SOFTWARE
- EXPERT SYSTEM PLANNING WITH DETAILED LAYOUTS AND CONFIGURATIONS
- COST ESTIMATION PROVIDED DURING THE INQUIRY PHASE
- COLLABORATIVE PROCESS FOR PLAN APPROVAL WITH CLIENTS
- PROFESSIONAL ON-SITE INSTALLATION AND SYSTEM OPTIMIZATION
- SUPPORTED BY THE PERFORMANCE INSTALLATION DEPARTMENT (PID)
- SUITABLE FOR A WIDE RANGE OF VENUES AND APPLICATIONS
- GUIDANCE PROVIDED THROUGH EVERY STEP OF THE PROCESS

BUILDING YOUR AUDIO SOLUTION STEP BY STEP

INQUIRY



ANALYSIS



PLANNING



APPLICATION

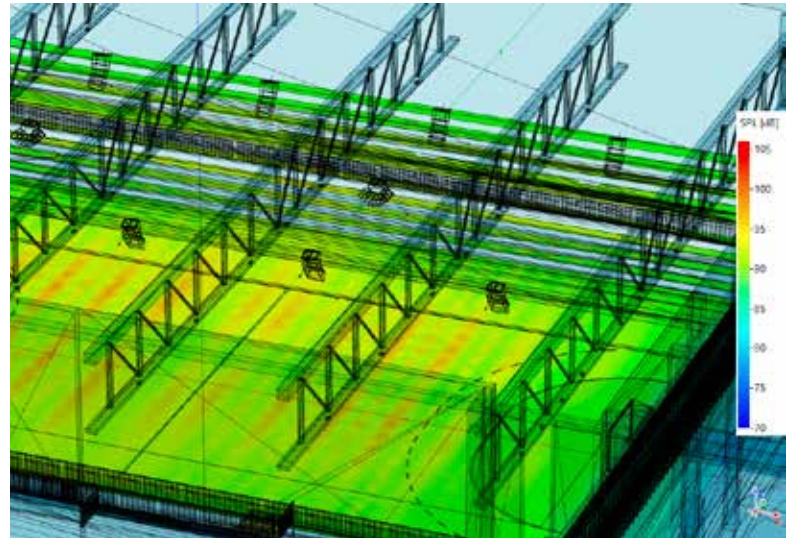


YOUR SOLUTION FOR PRECISION IN AUDIO INSTALLATION

dBTechnologies provides professional installation services to simplify the process of designing and implementing audio systems for permanent installations. By combining precision and ease, we ensure that every project delivers exceptional acoustic results tailored to the unique requirements of the venue.

Our services include acoustic simulations, performed using industry-standard tools like EASE and EASE Focus by AFMG Technologies GmbH. These powerful programs enable accurate predictions of sound coverage, intelligibility, and system performance, ensuring an optimized audio system for any space.

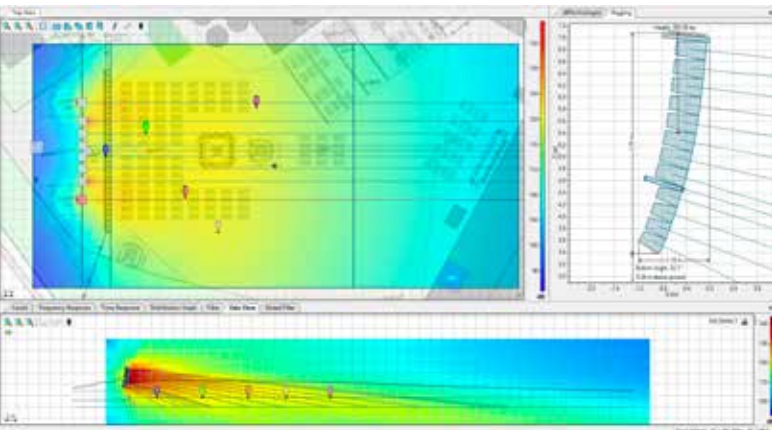
The Performance Installation Department (PID) is at the heart of these services. This dedicated team of experts supports clients through every stage of the project, from initial concept to final implementation. PID provides tailored solutions,



offering expertise in system layout, speaker placement, and technical optimization to deliver superior audio performance.

Additionally, our planning support service helps design speaker layouts, system configurations, and integration strategies. This collaborative approach ensures that solutions are customized to the needs of theaters, conference rooms, houses of worship, stadiums, and more.

By combining cutting-edge simulation software with the expertise of the Performance Installation Department, dBTechnologies Services guarantees a streamlined and efficient process, empowering planners and integrators to achieve outstanding audio results.



Plan your project with us: installation@dbtechnologies-aeb.com

dBTechnologies

Italy & International sales

AEB Industriale Srl

Via Brodolini, 8 - Loc. Crespellano
40053 Valsamoggia (BO) ITALY
Tel +39 051 96 98 70
Fax +39 051 96 97 25
info@dbtechnologies-aeb.com

dBTech USA

US sales

dBTech USA Inc.

OFFICE: 407 Lincoln Road, Suite 4E
Miami Beach FL 33139, USA
LEGAL ADDRESS: 1221 Brickell Avenue,
Suite 1160
Miami FL 33131, USA

dBTechnologies Deutschland GmbH

Germany, Belgium, Netherlands,
Luxembourg, Austria

Ettore Bugatti St. 5
51149 Köln
Tel. +49 2203 9 47 15-0
verkauf@dbtechnologies.de
info@dbtechnologies.de

dBTechnologies 

www.dbtechnologies.com